



PROTECT YOUR INVESTMENT.

Genuine Toro Quality Replacement Parts

Trust the OEM quality of Toro Genuine Parts to ensure top-level performance from your equipment every day. Toro Genuine Parts are engineered specifically for your Toro equipment, so you know you're getting the right part with the right specifications. We also offer 48-hour Toro-backed delivery on most parts with support to get your equipment back in action faster.

Toro Protection Plus™ Extended Coverage

Toro's extended coverage can help you save money without compromising the quality of your equipment. Choose from Comprehensive or Drivetrain-only plans for up to 5 years or 5,000 hours and get seamless coverage that begins when the Toro Standard Warranty expires. Plans provide 100% coverage of both parts and labor, and repairs are performed by certified Toro technicians using only Toro Genuine Parts.



Always solving. Always evolving.



2025 PERFORMANCE PARTS

QUICK REFERENCE GUIDE

toro.com

©2025 The Toro Company. Bloomington, MN 55420.
All rights reserved. All other trademarks are property of their respective owners.
25-800-master

Products depicted in this literature are for demonstration purposes only. Actual products offered for sale may vary in use, design, required attachments and safety features. We reserve the right to improve our products and make changes in specifications, design and standard equipment without notice and without incurring obligation. See your distributor for details on all our warranties.

/TheToroCompany
 /ToroCompany
 /ToroCompanyEurope



QUICK REFERENCE GUIDE

6 LUBRICANTS	33 BLADES REFERENCE CHART	43 BEARINGS
7 MVP KITS	35 BEDKNIVE REFERENCE CHART	51 BELTS
21 FILTERS	37 SERVICE REEL REFERENCE CHART	53 ROLLERS
27 BLADES	39 TIRES	



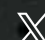


When players expect the best,
genuine parts make a difference.

Creating the best playing surface is your focus. Helping you do that faster, easier and better is ours. Count on Genuine Toro parts to give you peace of mind when you need a replacement. And ordering parts has never been easier with myTurf Pro®.

Always solving. Always evolving.

Find Your Nearest Distributor | toro.com



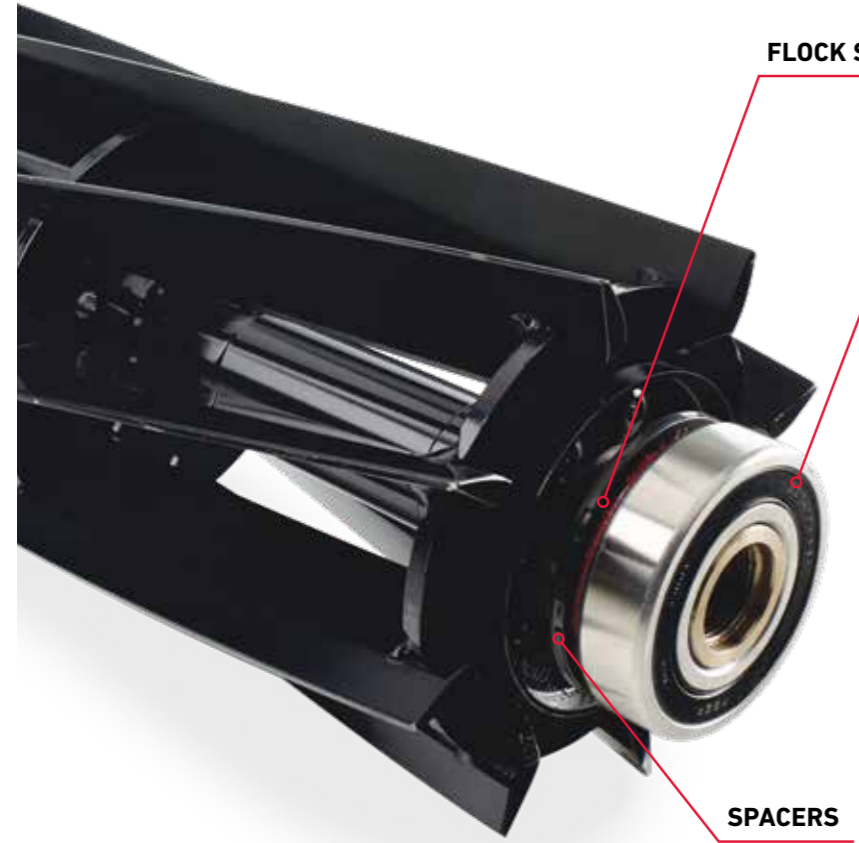
 /TheToroCompany
 /ToroCompany
 /ToroCompanyEurope



REELS+™ EDGESERIES REELS+™

Save Time, Save Money

- PLUS** Everything you need for replacing your reels is included & pre-assembled
- PLUS** Parts professionally assembled at the factory
- PLUS** Uses all genuine Toro parts
- PLUS** Less time & labor for you, saving you money & resources



FLOCK SEALS

BEARINGS

SPACERS

Reels+ Parts	
140-5510	Greensmaster®/Reelmaster® Reel Bearing
115-3299	Greensmaster/Reelmaster Flock Seal
127-4284	Reelmaster Washer-Special

CONTACT YOUR TORO DISTRIBUTOR FOR DETAILS.



In your world,
every second counts.

Get the clean cut you want from your bedknives with less sharpening in between uses. Toro bedknives are designed for the perfect fit and stay sharper for longer. That's how we spend our time — *making sure you save yours.*

Find Your Nearest Distributor | toro.com

/TheToroCompany
 /ToroCompany
 /ToroCompanyEurope



Toro PX Hydraulic Fluid

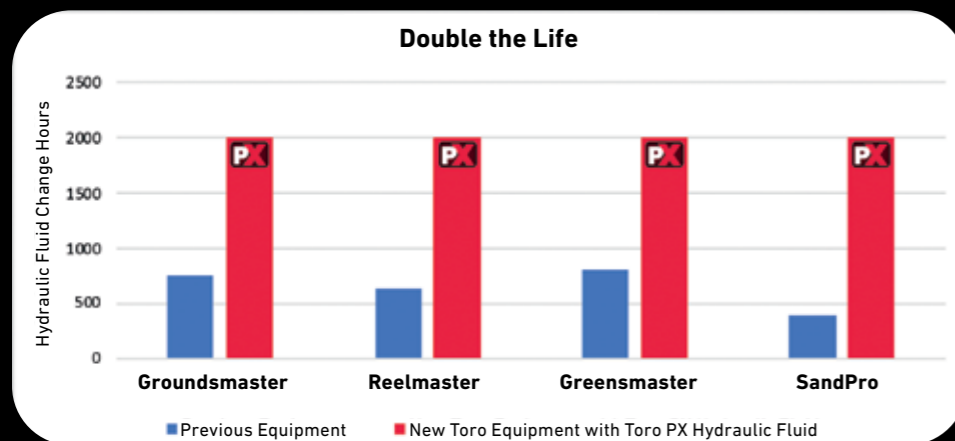
PREMIUM EXTENDED LIFE HYDRAULIC FLUID

Premium Extended Life Performance, Double the Life.

New extended life PX Hydraulic Fluid is another great innovation from Toro. This new premium hydraulic Fluid performs better & lasts longer than conventional Fluids. This means your equipment will run more smoothly & require fewer hydraulic Fluid changes saving you time & money—Up to 71%. Most 2019 & newer Toro commercial equipment come factory filled with Toro PX Hydraulic Fluid & have change intervals twice as long as previously...up to 2,000 hours!

Features

- Exceptional Hydraulic Efficiency—extended life vs. standard Fluids
- High Viscosity Index—maintains viscosity over wide temperature ranges
- Resistant to Oxidization—Anti-oxidants prevent sludge, varnish & thickening.



See the Toro equipment operator's guide for your equipment's specific maintenance interval. Not Compatible with hydraulic systems using tractor Fluid.

Order Part Numbers: 133-8086 (5 gal/19 L pail)

Lubricants

	Descriptions	Part No.
Toro PX Extended Life Hydraulic Fluid	5 gal (19 L)	133-8086
	55 gal (208 L)	133-8087
Toro Premium All-Season Hydraulic Fluid	5 gal (19 L)	108-1178
	55 gal (208 L)	108-1177
Toro Premium Synthetic Biodegradable Hydraulic Fluid	5 gal (19 L)	119-2157
	55 gal (208 L)	119-2158
Toro Premium Transmission/Hydraulic Fluid	5 gal (19 L)	108-1184
	55 gal (208 L)	108-1183
Toro Premium ATF Automatic Transmission Fluid	55 gal (208 L)	108-1185
Toro All-Purpose Grease	14 oz (414 mL)	108-1190
Toro Synthetic Grease ISO 220	3 oz (89 mL)	125-3511
Toro Fuel Treatment	12 oz (355 mL)	131-6572
Toro Premium Engine Oil SAE 30	5 gal (19 L)	108-1197
	55 gal (208 L)	108-1196
Toro Premium Engine Oil 10W-30	5 gal (19 L)	121-6393
	55 gal (208 L)	121-6392
Toro Premium Engine Oil 15W-40	5 gal (19 L)	121-6395
	55 gal (208 L)	121-6394
Toro Premium All-Season Gear Lube 80W-90	1 qt (946 mL)	108-1590
	5 gal (19 L)	108-1187
Toro Premium All-Season Gear Lube 85W-140	1 qt (946 mL)	108-1591
Toro Premium Full Synthetic Gear & Bearing Oil	1 qt (946 mL)	104-8772
Toro Hydraulic Oil Dye	20 mL	44-2500
Toro HV Synthetic Electric Motor Drive Oil	32 oz (946 mL)	147-6275
Toro Aerosol Terminal Protection		107-0392
Toro Dry Lube Graphite		120-4817
Toro Dry Lube Graphite		120-4818

*Always
solving.
Always
evolving.*

At Toro, innovation isn't just about big ideas. It's about listening and helping you solve your most important challenges. Behind every patent is a drive to keep you ahead of the game with future-ready products that make your job easier. No other brand has a more complete lineup—or a stronger network to support you for the life of your fleet.



QUICK REFERENCE GUIDE

MVP KITS*

Part Number	Description	Quantity
Cutting Unit Overhaul Kits		
130-0105	Greensmaster Flex 18/21 (2004-2011) Reel Overhaul Kit	
20-9500	Washer	1
107-3233	Seal - Oil	4
108-3162	Spacer	1
107-3238	V-Ring	2
121-2637	DPA Adjusters MVP Kit Greensmaster Flex/eFlex 1800/2100/1018/1020/1026/3000/3300/3400 Series	
106-5363	Shaft-Adjuster	2
106-5344	Bushing-Flanged, Keyed	4
119-4164	Washer-Wave	2
32120-93	Ring-Retaining	2
137-6130	Screw-Adjuster, Bedbar	2
119-4155	Washer-Hardened	2
119-4156	Spring-Compression	2
119-4039	Nut-Hex, NI	2
99-2097	Detent	2
119-4067	Screw-HH	2
106-6392	Greensmaster Dethatching Reel Blade Pack	
106-6355	Blade-11 Tooth (Carbide)	108
107-1590	Reelmaster 5100D/5200D/5300D/5400D (1990-2001) Reel Overhaul Kit	
253-61	Seal-Oil	1
253-96	Seal-Oil	2
254-72	Bearing-Cup	2
254-94	Bearing-Cone	2
3296-60	Nut-Lock	1
106-9605	Reelmaster 5500D/6500D/6700D SPA Bedbar Overhaul Kit	
106-7536	Bedbar Adjuster Assembly	1
107-7409	Pin-Pivot, Bedbar	1
29-8910	Washer	2
302-18	Fitting-Grease	1
3230-2	Bolt-Carriage	4
3256-74	Washer-Flat	4
3296-29	Nut-Lock	4
3296-62	Nut-Lock	1
52-2890	Bushing-Nyliner	2
62-5510	Bushing-Rubber	2
93-2959	Spacer-Adjuster	1
93-7501	Bushing Assembly	2
93-7502	Bushing-Flanged	2
95-0772	Spring-Compression	1
95-8752	Arm-Spring	1

Part Number	Description	Quantity
13-3679	Reelmaster 335D/450D Cutting Unit Overhaul Kit	
256-113	Bushing-Flange	2
256-252	Bearing-Flange	2
256-292	Bushing-Nyliner	4
32151-71	Ring-Retaining	1
3257-3	Key-Woodruff	1
48-8880	Pin-Dowel	2
119-4151	Screw-Special	10
59-6140	Bearing	2
62-6110	Bushing ASM	4
76-3580	Spacer-Bedbar	2
93-1414	Seal-Grease	3
95-4389	Reelmaster 4000D Cutting Unit Overhaul Kit	
256-252	Bearing-flange	2
256-292	Bushing-nyliner	4
32151-71	Ring-retaining	1
48-8880	Pin-dowel	2
119-4151	Screw-special	10
59-6140	Bearing	2
62-6110	Bushing ASM	4
75-7570	Key	1
76-3580	Spacer-bedbar	2
92-9250	Seal-grease	1
92-9251	Sleeve-wear	1
92-9252	Bushing-flange	2
93-1414	Seal-grease	2
13-3629	Reelmaster Gangmower Cutting Unit Overhaul Kit	
105-0150	Seal-Grease	2
106-5408	Gasket-Cover	2
106-5409	Gasket-Gear Case	2
237-21	O-Ring	2
237-38	O-Ring	2
253-117	Seal-Oil	2
253-122	Seal-Oil	2
253-84	Seal-Oil	2
254-72	Bearing-Cup	2
254-78	Bearing-Cone	4
254-79	Bearing-Cup	4
254-94	Bearing-Cone	2
257-5	Washer-Thrust	4
257-6	Bearing-Thrust	2
47-5640	Spacer-Rubber	2
119-4151	Screw-Special	11
68-7530	Bushing	2
68-9970	Guard-Seal	2
84-8200	Seal-Oil	2

Part Number	Description	Quantity
120-7230	HD DPA MVP Kit Reelmaster 3100D/3550/3555/3575/5010-H/5210/5410/5510/5610/6000/7000	
120-5118	Shaft-Adjuster	2
120-5116	Washer-Wave	2
106-5344	Bushing-Flanged, Keyed	4
108-0015	Washer-Flat	2
3296-33	Nut-Lock	2
137-6130	Screw-Adjuster, Bedbar	2
119-4155	Washer-Hardened	2
120-5120	Spring-Compression	2
119-4039	Nut-Hex, NI	2
Seal Kits		
117-2727	Hydraulic Connector O-Rings Seal Kit	
237-21	9/16" ORFS	10
237-22	11/16" ORFS	10
237-30	13/16" ORFS	10
237-65	1" ORFS	10
237-58	1-3/16" ORFS	10
340-65	1-7/16" ORFS	10
237-156	5/16" SAE	10
237-78	7/16" SAE	10
237-42	9/16" SAE	10
237-79	3/4" SAE	10
237-80	7/8" SAE	10
237-81	1-1/16" SAE	10
237-146	1-5/16" SAE	10
93-4132	1/2" (HYD Trans End Cap)	10
237-54	3/4" (HYD Relief Cartridge)	10
237-38	1-3/4" (Greensmaster 500 Clutch & Reelmaster Gangmower Gear Case)	10
93-9783	2-7/8" (HYD Motor Mounting)	10
237-161	3-1/4" (Transmission Mounting)	10
353-949	3-1/4" (HYD Motor Mounting)	10
237-95	3-3/4" (HYD Trans Charge Pump)	10
237-158	4" (HYD Motor Mounting)	10
108-3263	Multi Pro® Open Boom Sprayer Seal Kit	
108-3266	Seal Kit	1
108-3267	Seal Kit	1
108-3268	Seal Kit	1
106-6937	Greensmaster 3000 04610/11 DPA CU (2005-2011) DPA Reel Seal Kit	
106-6927	Sleeve	2
106-6926	Seal	2
253-134	Seal	2
106-6929	V-Ring	2
104-0532	Washer-Pulley	1

Part Number	Description	Quantity
136-1010	Groundsmaster® 3280 Seal Overhaul Rebuilt Kit	
136-1021	Lip Seal - Shaft	1
136-1023	Gasket - End Cap	1
136-1031	O-Ring	1
136-1032	O-Ring	1
Not serviced separately	Lip Seal, Journal Bearing	1
Not serviced separately	O-Ring, Journal Bearing	2
Not serviced separately	O-Ring, Bypass Valve	1
Not serviced separately	Back Up Ring	1
Not serviced separately	O-Ring, Bypass Valve	1
Not serviced separately	O-Ring, Plug	2
Not serviced separately	O-Ring, Plug	1

Bearing Kits

121-9517	Greensmaster 3000 (2012-2015) 04709/04710 Groomer Rebuild Kit	
107-8105	Bearing-Ball, Extended Race	3
106-8530	Seal-Grease	3
120-3237	O-Ring	1
360-0398	O-Ring	1
251-259	Bearing-Ball	2
104-4727	Ring-Retaining	1
104-4705	Belt-Groomer	1
110-4086	Reelmaster 5210/5410/5510/5610 Reelmaster-6500D/6700D (2006-2021) DPA Groomer & Rear Roller Brush Bearing Kit	
95-0707	Bearing-Self Aligning	1
106-8530	Seal-Grease	3
108-4172	Seal-Excluder	1
108-2132	ProCore 648 Coring Head Bearing Kit (2004-2007)	
106-8871	Bearing-Ball	6
105-0965	Bearing-Ball	6
251-311	Bearing-Ball	24
106-8872	Ring-Retaining	6
131-4876	ProCore 648 Coring Head Bearing Kit (2008 & on)	
110-4556	Bearing-Ball	12
105-0965	Bearing-Ball	6
231-311	Bearing-Ball	24
32151-76	Ring-Retaining	6
110-4557	Spacer - Bearing	6

Part Number	Description	Quantity
Cutting Unit Hydraulic Hose Kits		
117-0289	Groundsmaster 4300-D Hydraulic Hose Kit	
117-0213	Hydraulic Hose Assembly	1
117-0211	Hydraulic Hose Assembly	1
117-0212	Hydraulic Hose Assembly	1
117-0299	Hydraulic Hose Assembly	4
104-9323	Hose - Hyd	1
92-7638	Hose Assembly	1
105-1215	Hose - Hyd	4
108-6507	Hose - Hyd	2
3334-945	Tie - Cable	15
237-21	O-Ring	10
237-65	O-Ring	28
106-3662	Hose - Hyd	4
98-0642	Greensmaster 3000/3050/3100 Cutting Unit Hydraulic Hose Kit	
95-5984	Hydraulic Hose Assembly	1
95-5985	Hydraulic Hose Assembly	1
95-5986	Hydraulic Hose Assembly	1
95-5987	Hydraulic Hose Assembly	1
95-5988	Hydraulic Hose Assembly	1
95-5989	Hydraulic Hose Assembly	1
140-5236	MVP Kit - Greensmaster3150 Hydraulic Hose Kit	
139-6533	Hose Assembly	1
139-6531	Hose Assembly	1
105-5402	Hydraulic Hose Assembly	1
139-6529	Hose Assembly	2
139-6532	Hose Assembly	1
106-9674	Hydraulic Hose Assembly	1
105-5405	Hydraulic Hose Assembly	1
139-6530	Hose Assembly	1
237-30	O-Ring	6
237-65	O-Ring	6
237-21	O-Ring	4
237-22	O-Ring	2
140-5235	MVP Kit - Greensmaster3250-5 Hydraulic Hose Kit	
106-9674	Hydraulic Hose Assembly	2
139-6529	Hose Assembly	2
139-6530	Hose Assembly	2
139-6528	Hose Assembly	2
105-5405	Hydraulic Hose Assembly	1
237-30	O-Ring	12
237-21	O-Ring	6
139-6529	Hose - Hyd (ASM)	2
139-6530	Hose - Hyd (ASM)	2
139-6528	Hose ASM	2

Part Number	Description	Quantity
140-5233	MVP Kit - Greensmaster Triflex Hydraulic Hose Rebuild	
139-6494	Hydraulic Hose Assembly	1
139-6495	Hydraulic Hose Assembly	1
139-6536	Hose Assembly	1
139-6496	Hydraulic Hose Assembly	1
139-6497	Hydraulic Hose Assembly	1
139-6535	Hose Assembly	1
139-6498	Hydraulic Hose Assembly	1
139-6499	Hydraulic Hose Assembly	1
139-6534	Hose Assembly	1
237-30	O-Ring	12
237-21	O-Ring	3
237-22	O-Ring	3
117-2723	Reelmaster 4000D Cutting Unit Hydraulic Hose Kit	
98-7401	Hydraulic Hose Assembly	1
60-3340	Hydraulic Hose Assembly	1
98-7400	Hydraulic Hose Assembly	1
98-7403	Hydraulic Hose Assembly	4
58-5730	Hydraulic Hose Assembly	1
98-7404	Hydraulic Hose Assembly	2
237-22	O-Ring	10
237-65	O-Ring	18
104-9317	Reelmaster 5200D/5400D Cutting Unit Hydraulic Hose Kit	
100-3876	Hydraulic Hose Assembly	1
100-3877	Hydraulic Hose Assembly	1
100-3878	Hydraulic Hose Assembly	1
100-3879	Hydraulic Hose Assembly	1
104-0057	Hydraulic Hose Assembly	1
104-0069	Hydraulic Hose Assembly	1
104-9321	Hydraulic Hose Assembly	1
104-9322	Hydraulic Hose Assembly	1
104-9323	Hydraulic Hose Assembly	1
98-4583	Hydraulic Hose Assembly	2
98-4584	Hydraulic Hose Assembly	1
98-4587	Hydraulic Hose Assembly	1
3290-379	Tie-Cable	10
99-5617	Sleeve-Protective	1
99-5648	Sleeve-Protective	4
237-30	Seal - O-Ring	20
237-21	Seal - O-Ring	10

Part Number	Description	Quantity
117-2720	Reelmaster 5210/5410/5510/5610 Cutting Unit Hydraulic Hose Kit (2008-2009)	
106-3672	Hydraulic Hose Assembly	4
98-4590	Hydraulic Hose Assembly	2
114-8868	Hydraulic Hose Assembly	4
106-3680	Hydraulic Hose Assembly	2
104-3669	Hydraulic Hose Assembly	1
106-3670	Hydraulic Hose Assembly	1
106-3671	Hydraulic Hose Assembly	1
3334-945	Tie-Cable	15
237-30	O-Ring (ORFS - 8)	20
237-21	O-Ring (ORFS - 4)	10
119-6955	Reelmaster 5210/5410/5510/5610 (2010+) Cutting Unit Hydraulic Hose Kit	
114-0633	Hydraulic Hose Assembly	5
98-4590	Hydraulic Hose Assembly	2
117-5188	Hydraulic Hose Assembly	4
106-3680	Hydraulic Hose Assembly	2
117-5190	Hydraulic Hose Assembly	1
106-3670	Hydraulic Hose Assembly	1
3334-945	Tie-Cable	15
237-30	O-Ring (ORFS - 8)	10
237-21	O-Ring (ORFS - 4)	10
237-65	O-Ring (ORFS -10)	10
104-9314	Reelmaster 5500D Reel Drive Hose Kit	
104-0069	Hydraulic Hose Assembly	4
104-0057	Hydraulic Hose Assembly	4
104-0068	Hydraulic Hose Assembly	1
104-0067	Hydraulic Hose Assembly	1
104-0064	Hydraulic Hose Assembly	1
104-0058	Hydraulic Hose Assembly	2
104-0063	Hydraulic Hose Assembly	2
3290-379	Tie-Cable	10
237-30	O-Ring (ORFS - 8)	20
237-21	O-Ring (ORFS - 4)	5
237-22	O-Ring (ORFS - 6)	2

Part Number	Description	Quantity
105-0139	Reelmaster 6500D/6700D (5 Units) Cutting Unit Hydraulic Hose Kit	
105-7901	Hydraulic Hose Assembly	4
105-7902	Hydraulic Hose Assembly	2
105-7903	Hydraulic Hose Assembly	4
92-7559	Hydraulic Hose Assembly	2
92-7560	Hydraulic Hose Assembly	1
99-5614	Hydraulic Hose Assembly	2
237-21	O-Ring	10
237-30	O-Ring	20
3253-4	Washer-Lock	6
3290-379	Tie-Cable	10
33114-020	Screw-HH	6
99-5617	Sleeve-Protective	5
99-5621	Guide-Hose	3
105-0140	Reelmaster 6700D (2 Wing Units) Cutting Unit Hydraulic Hose Kit	
105-7900	Hydraulic Hose Assembly	4
94-1433	Hydraulic Hose Assembly	2
237-21	O-Ring	4
237-30	O-Ring	8
3253-4	Washer-Lock	4
3290-378	Tie-Cable	4
33114-020	Screw-HH	4
3334-945	Tie-Cable	2
100-3814	Sleeve-Protective	2
99-5621	Guide-Hose	2
Roller Rebuild Tool Kits		
140-5552	Greensmaster DPA (2004 & on) Roller Rebuild Kit	
106-6941	Seal	2
106-6942	V-Ring	2
251-347	Bearing-Ball	2
107-8133	Washer-Flat	2
107-3505	Spacer-Tool, Roller	2
104-6126	Washer-Flat	2
106-9606	Reelmaster 5200D/5400D/5500D/6500D/6700D (2001-2007) Reelmaster 5210/5410/5510/5610 (2006-2007) Roller Rebuild Kit	
109966	Bearing-Ball	2
253-70	Seal-Oil	2
32120-62	Ring-Retaining	2
93-1251	Seal-Inner	2
93-1252	Seal-Outer	2
93-2931	Washer-Roller	2
93-3007	Seal-Oil	2

QUICK REFERENCE GUIDE

MVP KITS*

Part Number	Description	Quantity
Roller Rebuild Tool Kits Continued		
114-5430	Reelmaster 3550/3555/3575/5210/5410/5010/5510/5610/6000/7000 (2008 & on) and Groundsmaster 3500/4300/4500/4700 Roller Rebuild kit	
114-3717	Seal-Inner	2
112-5290	Bearing-Ball	2
112-7494	Seal-Outer	4
114-5411	Nut-Bearing Lock	2
140-5553	Greensmaster Roller Rebuild Tool Kit (2004 & on)	
115-0803	Groundsmaster/Reelmaster Roller Rebuild Tool Kit (2008 & on)	
147-1132	Greensmaster/Groundsmaster/Reelmaster Roller Drive Nut Tool (2004 & on)	
106-9627	Reelmaster 5200D/5400D Reelmaster5500D/6500D/6700D SPA Rear Roller Brush Rebuild Kit	
106-9626	Shaft	1
105-6792	Brush-Roller	1
104-1830	Bolt-J	2
3296-2	Nut-Lock	2
Reelmaster Attachment (2006-2015) Single MVP Kits		
137-5991	Reelmaster 5210/5410 RRB kit (replaces 03668)	
137-5992	Reelmaster 5510/5610/6500/6700 RRB Kit (replaces 03688)	
137-5593	Reelmaster 3100/7000 27" RRB kit (replaces 03186)	
137-5594	Reelmaster 3100/7000 32" RRB kit (replaces 03187)	
Reelmaster Attachment (2015 & on) Single MVP Kits		
140-5605	Reelmaster 3550/5410/5010-H 5" Univ Groomer Kit	
140-5607	Reelmaster 3100/5510/5610/5010-H 7"/7000 Univ Groomer kit	
133-0152	Reelmaster 3550 18" RRB kit for Univ Groomer	
133-0153	Reelmaster 3555/5410/5010-H 5" RRB kit for Univ Groomer	
133-0154	Reelmaster 3575/5510/5610/5010-H 7" RRB kit for Univ Groomer	
133-0155	Reelmaster 3550 18" RRB kit	
133-0156	Reelmaster 3550 22" (2) RRB Kit	
133-0157	Reelmaster 3555/5410/5010-H 5" RRB kit	
133-0158	Reelmaster 3575/5510/5610/5010-H 7" RRB Kit	
Greensmaster/Reelmaster Universal Groomer Boxes		
147-0835	Greensmaster 1018/1021/1026 Fix (04707), Flex/Greensmaster 3000 (04648), Reelmaster 3550/3555/5410/5010-H 5" (03763) Universal Groomer Box Upgrade Kit (137-5950, 137-0874, 137-0869, 94-6936) (2018-2020)	
137-5950	Greensmaster 1018/1021/1026 Fix (04707), Flex/Greensmaster 3000 (04648)/Reelmaster 3550/3555/5410/5010-H 5" (03763) Universal Groomer Box (2021 & on)	
147-0837	Reelmaster 3100 (03240)/Reelmaster 3575/5510/5610/5010-H 7"/Reelmaster 7000 (03768) Universal Groomer Box Upgrade Kit (140-5620, 137-0874, 137-0869, 94-6936) (2018-2020)	
140-5620	Reelmaster 3100 (03240)/Reelmaster 3575/5510/5610/5010-H 7"/Reelmaster 7000 (03768) Universal Groomer Box (2021 & on)	

Part Number	Description	Quantity
Groundsmaster Deck Kits		
138-1930	Groundsmaster 3280D/3320 Side Discharge Spindle Kit	
104-3546	Pulley-Driven	1
108-1991	Spindle Housing Assembly	1
108-1956	Spindle Shaft Assembly	1
104-3564	Seal-V-Ring	1
104-8322	Washer-Hardened	1
106-7159	O-Ring	1
3296-60	Nut-Lock	1
138-6416	Spacer-Spindle Shaft	1
139-1039	Groundsmaster 3280D/3320/4000D/4100D RD/Guardian Spindle Kit	
104-3546	Pulley-Driven	1
119-4546	Spindle Housing Assembly	1
104-3554	Spindle Shaft Assembly	1
104-3564	Seal - V-Ring	1
104-8322	Washer-Hardened	1
106-7159	O-Ring	1
3296-60	Nut-Lock	1
138-6416	Spacer-Spindle Shaft	1
121-3666	Groundsmaster 3500D/3500G/3505D/4500D/4700D Spindle Kit	
100-5703	Spacer & Bearing Assembly	1
136-3339	Spindle Shaft Assembly	1
253-154	Seal-Oil	2
138-6416	Spacer-Spindle Shaft	1
100-5709	Nut-Spindle, Special	1
302-62	Fitting-Grease	2
94-2703	Plug	1
505-7	Grease	2 oz
105-7269	Groundsmaster 7200/7210 62"/158 cm Guardian Tall Grass Kit	
112-1480-01	Plate - Right	1
112-1482-01	Plate - Left	1
104-8300	Nut-Flange	4
3230-2	Bolt-Carriage	4
Groundsmaster Blade & Belt Kits		
110-4770	Groundsmaster 3280D/3320 60"/152 cm SD Blade & Belt Kit	
110-4701	Blade - Medium Sail 20.5"	3
108-4391	Belt - Hex	1
110-4768	Groundsmaster 3280D/3320 62"/158 cm RD/Guardian Blade & Belt Kit	
92-5608-03	Blade - Standard 21.75"	3
107-4788	Belt-Hex	1
110-4771	Groundsmaster 3280D/3320 72"/18 cm SD Blade & Belt Kit	
110-0621	Blade - Medium Sail 24.5"	3
108-4393	Belt - Hex	1

Part Number	Description	Quantity
110-4769	Groundsmaster 3280D/3320 72"/18 cm RD/Guardian Blade & Belt Kit	
108-1958-03	Blade - Standard 25"	3
107-4738	Belt-Hex	1
132-1440	Groundsmaster 5900/5910 Blade & Belt Kit	
112-7376	Belt-V	1
112-7377	Belt-V	6
130-9151-03	Blade - 20"	11
115-8898	Groundsmaster 5900/5910 Center & Wing Decks Blade & Belt Kit	
110-5946-03	Blade - Standard 20"	11
112-7376	Belt-V	1
112-7377	Belt-V	6
105-7270	Groundsmaster 7200/7210 62"/157.5 cm Guardian Blade & Belt Kit	
92-5608-03	Blade - Standard 21.75"	3
110-9594	Belt-V	1
110-9595	Belt-V	1
105-7271	Groundsmaster 7200/7210 72"/182.9 cm Guardian Blade & Belt Kit	
108-1958-03	Blade - Standard 25"	3
110-9592	Belt - V	1
110-9593	Belt - V	1
105-7272	Groundsmaster 7200/7210 72"/182.9 cm SD Deck Blade & Belt Kit	
144-3911	Blade - Medium Sail 24.5"	3
110-9590	Belt-V	1
110-9591	Belt-V	1
Groundsmaster Caster Wheel Kits		
95-3077	Groundsmaster 3280D/3320 52"/132 cm SD Caster Wheel Kit	
68-8970	Tire & Bearing Assembly	2
68-8980	Spanner-Tire	2
32153-5	Nut-Lock	2
325-19	Screw-HH	2
3256-6	Washer-Flat	2
68-8970	Groundsmaster 3280D/3320 52"/132 cm SD Caster Wheel Kit	
68-8970	Tire & Bearing Assembly	1
110-4767	Groundsmaster 3280D/3320 60"/152 cm SD 62"/158 cm RD/Guardian 72"/183 cm RD/SD/Guardian Caster Wheel Kit	
93-9938	8" Wheel Assembly	1
327-24	Screw-HH	1
3296-53	Nut-Lock	1
Groundsmaster Blade Packs		
140-0028	Groundsmaster 1200 Atomic Blade Pack	
139-7799-03	Blade - Atomic 19"	9
108-1462	Groundsmaster 3500D/3505D 27"/69 cm RD Atomic Blade Pack	
107-0235-03	Blade - Atomic 27"	6

QUICK REFERENCE GUIDE

MVP KITS*

Part Number	Description	Quantity
117-2722	Groundsmaster 4000D 132"/335 cm RD Standard Blade Pack	
92-5608-03	Blade - Standard 21.75"	7
110-6130	Groundsmaster 4000D 132"/335 cm RD Flat Sail Blade Pack	
110-6115-03	Blade - Flat Sail 21.75"	7
108-1450	Groundsmaster 4000D 132"/335 cm RD Atomic Blade Pack	
107-0214-03	Blade - Atomic 21.75"	7
137-5500	Groundsmaster 4000D 132"/335 cm Medium Sail Blade Pack	
136-4370-03	Blade - Medium Sail 21.75"	7
110-6140	Groundsmaster 4100D 124"/315 cm RD Flat Sail Blade Pack	
110-6116-03	Blade - Flat Sail 19"	7
108-1451	Groundsmaster 4100D 124"/315 cm RD Atomic Blade Pack	
107-0215-03	Blade - Atomic 19"	7
108-1463	Groundsmaster 4500D 27"/69 cm RD Atomic Blade Pack	
107-0235-03	Blade - Atomic 27"	5
108-0800	Groundsmaster 4500D 27"/69 cm	
108-9026	Blade - Combination 27"	5
108-0800	Groundsmaster 3500D Combo Blade Pack	
108-9026	Blade - Combination 27"	5
108-1464	Groundsmaster 4700D 27"/69 cm RD Atomic Blade Pack	
107-0235-03	Blade - Atomic 27"	7
115-8896	Groundsmaster 5900/5910 (2008-2016) Center & Wing Decks Standard Blade Pack	
110-5946-03	Blade - Standard 20"	11
114-0897	Groundsmaster 5900/5910 (2008-2016) Center & Wing Decks Atomic Blade Pack	
110-5948-03	Blade - Atomic 20"	11
119-8020	Groundsmaster 360 Atomic Blade Pack	
110-0624-03	Blade-Atomic 24.5"	3
119-8021	Groundsmaster 360 High Flow Blade Pack	
110-0622-03	Blade-Medium Flow 24.5"	3
Filter Kits		
31196	Outcross 9060 500 Hour Filter Kit	
108-3814	Air Filter	1
125-2915	Fuel/Water Separator	1
125-7025	Engine Filter	2
125-8752	Oil Fuel Filter	1
121-8457	Filter-Air	
30065	Greensmaster 500/800/1000/1600 & Flex 18/21 (Up to 2011) Filter Kit	
93-8636	Air Filter	1
93-8637	Air Filter	1
93-8584	Spark Plug	1
30097	Greensmaster 500/800/1000/1600 & Flex 18/21 (2012 & on) Filter Kit	
121-0618	Element Set	1
121-0547	Spark Plug	1

QUICK REFERENCE GUIDE

MVP KITS*

Part Number	Description	Quantity
Filter Kits continued		
30064	Greensmaster 3150 (up to 2011) 400 Hour Filter Kit	
107-7817	Oil Filter	5
107-9531	Hydraulic Oil Filter	1
92-0527	Air Cleaner Cartridge	1
92-0530	Filter Element	1
131-6262	Greensmaster 3120/3150D (2012 & on) 800 Hour Filter Kit	
107-7817	Oil Filter	9
92-0527	Air Cleaner Cartridge	8
107-9531	Hydraulic Oil Filter	2
94-2690	Fuel Filter	1
108-6945	Spark Plug	2
131-8785	Greensmaster 3150 (2012 & on) 800 Hour Standard Filtter Kit	
107-7817	Oil Filter	8
92-0527	Air Cleaner Cartridge	8
107-9531	Hydraulic Oil Filter	1
94-2690	Filter - Fuel	1
108-6945	Spark Plug	2
44955	Greensmaster 3120/3150 MVP 1,000 Hour Filter Kit (Units with PX Hydraulic Fluid) (2019 & on)	
92-0527	Cartridge Air Cleaner	10
107-7817	Engine Oil Filter	10
94-2690	Fuel Filter	2
108-6945	Spark Plug	2
107-9531	Hydraulic Filter	1
121-2583	Filter-Fuel, Inline	
30018	Greensmaster 3250D (2003-2006) 400 Hour Filter Kit	
108-3842	Engine Oil Filter	5
107-9531	Hydraulic Oil Filter	1
108-3811	Air Filter	2
30062	Greensmaster 3250D (2007 - 2011) 400 Hour Filter Kit	
108-3842	Engine Oil Filter	3
107-9531	Hydraulic Oil Filter	1
108-3811	Air Filter	2
112-9188	Filter Element	1
30086	Greensmaster 3250D (2012 & on) 500 Hour Filter Kit	
115-8189	Engine Oil Filter (Kubota D902)	4
107-9531	Hydraulic Oil Filter	1
108-3811	Air Filter	2
110-9049	Filter - Spin on	1

Part Number	Description	Quantity
44968	Greensmaster 3250-D MVP 1,000 Hour Filter Kit (Units w/ PX Hydraulic Fluid) (2019 & on)	
115-8189	Engine Oil Filter	11
108-3811	Air Filter	5
110-9049	Fuel Filter - Spin on	2
107-9531	Oil Hydraulic Filter	1
30042	Greensmaster 3300/3320 400 Hour Filter Kit	
108-5194	Hydraulic Oil Filter	1
107-7817	Engine Oil Filter	5
44969	Greensmaster 3300/3320 MVP 1,000 Hour Filter Kit (Units w/ PX Hydraulic Fluid) (2019 & on)	
92-0527	Cartridge Air Cleaner	10
107-7817	Engine Oil Filter	10
94-2690	Fuel Filter	2
108-6945	Spark Plug	2
108-5194	Filter Oil Hyd	1
30043	Greensmaster 3400/3420 400 Hour Filter Kit	
108-3811	Air Filter	1
108-5194	Hydraulic Oil Filter	1
115-8189	Engine Oil Filter	3
44970	Greensmaster 3400/3420 Triflex MVP 1,000 Hour Filter Kit (Units w/ PX Hydraulic Fluid) (2019 & on)	
115-8189	Engine Oil Filter	11
108-3811	Air Filter	5
110-9049	Fuel Filter - Spin on	2
108-5194	Filter Oil Hyd	1
44971	Greensmaster 3360 E-Triflex MVP 400 Hour Filter Kit (2019 & on)	
119-5852	Oil Filter	4
120-7448	Air Filter	2
30016	Reelmaster 3100D (1999-2007) 400 Hour Filter Kit	
108-3841	Engine Oil Filter	3
54-0110	Hydraulic Oil Filter	3
108-3811	Air Filter	2
98-9764	Fuel/Water Separator	1
108-3828	Fuel Filter - In-Line	1
44963	Reelmaster 3100D (2008 & on) 400 Hour Filter Kit	
108-3841	Engine Oil Filter	3
54-0110	Hydraulic Oil Filter	2
108-3811	Air Filter	2
110-9049	Fuel/Water Separator	1
30090	Reelmaster 3550D/3555D/3575D 400 Hour Filter Kit	
108-3841	Engine Oil Filter	3
86-3010	Transmission Oil Filter	3
108-3811	Air Filter	2
110-9049	Filter-Spin on	1
110-9049	Fuel/Water Separator	1

Part Number	Description	Quantity
30012	Reelmaster 4000D (2002-2007) 400 Hour Filter Kit	
104-5169	Engine Oil Filter	3
86-6110	Hydraulic Oil Filter	1
108-3828	Fuel Filter - In-Line	1
98-9764	Fuel/Water Separator	1
108-3812	Air Filter - Outer	1
108-3813	Air Filter - Inner	1
30061	Reelmaster 4000D (2008 & on) 400 Hour Filter Kit	
104-5169	Engine Oil Filter	3
86-6110	Hydraulic Oil Filter	1
98-9764	Fuel/Water Separator	1
108-3812	Air Filter - Outer	1
108-3813	Air Filter - Inner	1
30015	Reelmaster 5200D/5400D 400 Hour Filter Kit	
108-3841	Engine Oil Filter	3
110-4146	Transmission Oil Filter	1
108-3828	Fuel Filter - In-Line	1
108-3810	Air Filter	1
98-9764	Fuel/Water Separator	1
30039	Reelmaster 5210/5410/5510 (2006-2007) 400 Hour Filter Kit	
108-3841	Engine Oil Filter	4
108-3828	Fuel Filter - In-Line	1
108-3810	Air Filter	1
98-9764	Fuel/Water Separator	1
30054	Reelmaster 5210/5410/5510 Pre Tier 4 (2008 & on) 400 Hour Filter Kit	
108-3841	Engine Oil Filter	3
108-3810	Air Filter	1
110-9049	Fuel/Water Separator	1
94-2621	Hydraulic Oil Filter	1
86-3010	Hydraulic Oil Filter	1
30247	Reelmaster 5010-H 800 Hour Filter Kit	
108-3841	Engine Oil Filter	6
110-9049	Fuel/Water Separator	2
86-3010	Hydraulic Oil Filter	1
108-3810	Air Filter	1
44959	Reelmaster 5010-H (Non Tier 4) MVP 1,000 Filter Kit (Units with PX Hydraulic Fluid) (2019 & on)	
108-3810	Air Filter	2
108-3841	Engine Oil	7
94-2621	Element Filter	1
86-3010	Transmission Oil Filter	1
110-9049	Fuel Filter	2

Part Number	Description	Quantity
44966	Reelmaster 5010-H (Tier 4) MVP 1,000 Hour Filter Kit (Units with PX Hydraulic Fluid) (2019 & on)	
108-3841	Air Filter	7
110-9049	Fuel Filter Spin on	2
86-3010	Transmission Oil Filter	1
108-3810	Fuel Filter	2
30091	Reelmaster 5410G/5510G 800 Hour MVP Filter Kit	
108-3810	Air Filter	1
108-3841	Oil Filter	4
94-2621	Filter Element	1
86-3010	Transmission Oil Filter	1
30093	Reelmaster 5410D/5510D Tier4 Final 800 Hour MVP Filter Kit	
108-3810	Air Filter	1
125-7025	Oil Filter	3
94-2621	Filter Element	1
86-3010	Transmission Oil Filter	1
125-2915	Filter Spin on	2
125-8752	Fuel Filter	2
44964	Reelmaster 5410/5510 Groundsmaster 4300 MVP 1,000 Hour Filter Kit (Tier 4) (Units with PX Hydraulic Fluid) (2019 & on)	
108-3810	Air Filter	2
125-7025	Engine Oil Filter	7
94-2621	Element Filter	1
86-3010	Transmission Oil Filter	1
125-2915	Fuel Filter Ws	2
125-8752	Filter Fuel / Oil	2
30038	Reelmaster 5500D 400 Hour Filter Kit	
108-3841	Engine Oil Filter	5
110-4146	Transmission Oil Filter	1
94-2621	Hydraulic Oil Filter	1
108-3810	Air Filter	1
98-9764	Fuel/Water Separator	1
108-3828	Fuel Filter - In-Line	1
30040	Reelmaster 5610 (2006-2007) 400 Hour Filter Kit	
108-3841	Engine Oil Filter	4
108-3828	Fuel Filter - In-Line	1
108-3812	Air Filter	1
98-9764	Fuel/Water Separator	1
30055	Reelmaster 5610 (2008-2012) 400 Hour Filter Kit	
108-3841	Engine Oil Filter	3
108-3812	Air Filter	1
110-9049	Fuel/Water Separator	1
94-2621	Hydraulic Oil Filter	1
86-3010	Hydraulic Oil Filter	1

QUICK REFERENCE GUIDE

MVP KITS*

Part Number	Description	Quantity
Filter Kits continued		
44960	Reelmaster 5610 (Non-Tier 4) MVP 1,000 Hour Filter Kit (Units with PX Hydraulic Fluid) (2019 & on)	
108-3812	Air Filter	2
108-3841	Engine Oil Filter	7
94-2621	Element Filter	1
86-3010	Filter Oil Transmission	1
110-9049	Fuel Filter-Spin on	2
30014	Reelmaster 6500D/6700D (2003-2007) 400 Hour Filter Kit	
108-3841	Engine Oil Filter	3
108-3828	Fuel Filter - In-Line	1
98-9764	Fuel/Water Separator	1
108-3812	Air Filter - Outer	1
108-3813	Air Filter - Inner	1
94-2621	Hydraulic Oil Filter	1
30057	Reelmaster 6500D/6700D (2008 & on) 400 Hour Filter Kit	
108-3841	Engine Oil Filter	3
110-9049	Fuel/Water Separator	1
108-3812	Air Filter - Outer	1
108-3813	Air Filter - Inner	1
94-2621	Hydraulic Oil Filter	1
30056	Reelmaster 7000D 400 Hour Filter Kit (2008 & on) 400 Hour Filter Kit	
104-5169	Engine Oil Filter	3
75-1310	Hydraulic Oil Filter - Pump	1
94-2621	Hydraulic Oil Filter - Manifold	1
110-9049	Fuel/Water Separator	1
108-3814	Air Filter - Outer	1
108-3816	Air Filter - Inner	1
30261	Groundsmaster 360/7210 Tier 4 Final - Yanmar (2015 & on) 400 Hour Filter Kit	
108-3810	Filter - Air	1
125-7025	Filter	1
108-5194	Filter - Oil, Hydraulic	1
125-2915	Filter - Spin on	1
125-8752	Filter - Fuel	1
30051	Groundsmaster 3280D (2008-2015) 400 Hour Filter Kit	
108-3841	Engine Oil Filter	3
23-2300	Transmission Oil Filter	2
110-9049	Fuel/Water Separator	1
108-3810	Air Filter	1
30262	Groundsmaster 3280D (2016 & on) 400 Hour Filter Kit	
108-3841	Engine Oil Filter	3
54-0110	Transmission Oil Filter	2
110-9049	Fuel/Water Separator	1
108-3810	Air Filter	1

Part Number	Description	Quantity
30058	Groundsmaster 3500D/3505D Turbo (2008-2012) 400 Hour Filter Kit	
108-3841	Engine Oil Filter	3
86-3010	Hydraulic Oil Filter	3
110-9049	Fuel/Water Separator	1
108-3810	Air Filter	2
30090	Groundsmaster 3500D (Model 30807/30849) 400 Hour Filter Kit	
108-3841	Engine Oil Filter	3
86-3010	Transmission Oil Filter	3
108-3811	Air Filter	2
110-9049	Filter-Spin on	1
110-9049	Fuel/Water Separator	1
44962	Groundsmaster 3500D (Non-Tier 4) MVP 1,000 Hour Filter Kit (Units with PX Hydraulic Fluid) (2019 & on)	
108-3810	Air Filter	5
108-3841	Engine Oil Filter	7
86-3010	Transmission Oil Filter	1
110-9049	Fuel Filter	2
30246	Groundsmaster 3500G (Model 30809) 400 Hour Filter MVP Kit	
108-3811	Air Filter	2
115-8189	Engine Oil Filter	3
86-3010	Hydraulic Oil Filter	3
121-3625	Fuel Pump Filter	1
30029	Groundsmaster 4000D/4100D/4500D/4700D (2002-2008) 400 Hour Filter Kit	
104-5169	Engine Oil Filter	3
75-1310	Hydraulic Oil Filter - Pump	1
94-2621	Hydraulic Oil Filter - Manifold	1
98-9764	Fuel/Water Separator	1
108-3828	Fuel Filter - In-Line	1
108-3814	Air Filter - Outer	1
108-3816	Air Filter - Inner	1
30056	Groundsmaster 4000D/4100D/4500D/4700D (2008 & 2012) 400 Hour Filter Kit	
104-5169	Engine Oil Filter	3
75-1310	Hydraulic Oil Filter - Pump	1
94-2621	Hydraulic Oil Filter - Manifold	1
110-9049	Fuel/Water Separator	1
108-3814	Air Filter - Outer	1
108-3816	Air Filter - Inner	1

Part Number	Description	Quantity
30089	Groundsmaster 4000D/4100D/4500D/4700D Tier 4i 800 Hour Filter MVP Kit Yanmar Engine	
125-7025	Oil Filter	3
75-1310	Hydraulic Oil Filter	1
94-2621	Hydraulic Oil Filter	1
115-9793	Breather	1
108-3814	Air Filter	1
108-3816	Air Filter	1
110-9049	Filter Spin On	2
110-4812	Fuel Filter	1
30408	Groundsmaster 4000D/4100D/4500D/4700D Tier 4 Final (2013 & on) 800 Hour Filter MVP Kit	
125-7025	Oil Filter	3
75-1310	Hydraulic Oil Filter	1
94-2621	Hydraulic Oil Filter	1
115-9793	Breather	1
108-3814	Air Filter	1
108-3816	Air Filter	1
125-2915	Filter Spin on	2
125-8752	Fuel Filter	2
110-4812	Axle Vent ASM	1
110-4815	Insert Filter ASM	1
44967	Groundsmaster 4000/4100 MVP 1,000 Hour Filter Kit (Units with PX Hydraulic Fluid) (2019 & on)	
125-7025	Engine Oil Filter	2
75-1310	Hydraulic Filter	1
94-2621	Element	1
115-9793	Breather	1
125-2915	Fuel Filter Water Separator	2
125-8752	Fuel Filter	2
108-3814	Air Filter	2
108-3816	Air Filter	2
30055	Groundsmaster 4300 400 Hour Filter Kit (2008-2012)	
108-3841	Engine Oil Filter	3
108-3812	Air Filter	1
110-9049	Fuel/Water Separator	1
94-2621	Hydraulic Oil Filter	1
86-3010	Hydraulic Oil Filter	1
30093	Groundsmaster 4300D 800 Hour MVP Filter Kit (2012 & on)	
108-3810	Air Filter	1
125-7025	Oil Filter	3
94-2621	Filter Element	1
86-3010	Transmission Oil Filter	1
125-2915	Filter Spin on	2
125-8752	Fuel Filter	2

Part Number	Description	Quantity
44964	Groundsmaster 4300 MVP 1,000 Hour Filter Kit (Tier 4) (Units with PX Hydraulic Fluid) (2019 & on)	
108-3810	Air Filter	2
125-7025	Engine Oil Filter	7
94-2621	Element Filter	1
86-3010	Transmission Oil Filter	1
125-2915	Fuel Filter Ws	2
125-8752	Fuel Filter/Oil	2
30041	Groundsmaster 5900/5910 400 Hour Filter Kit	
130-8860	Engine Oil Filter	2
86-6110	Hydraulic Oil Filter - Main	1
75-1310	Hydraulic Oil Filter - PTO	1
115-5471	Fuel/Water Separator	1
117-2792	Fuel Filter - AT Engine	1
31609	Groundsmaster 5900 Tier 4 Final 400 Hour Filter Kit	
125-7025	Oil Filter	2
75-1310	Hydraulic Oil Filter - PTO	1
86-6110	Hydraulic Oil Filter - Main	1
125-2915	Filter Spin on	1
125-8752	Fuel Filter	1
44958	Groundsmaster 5900/5910 MVP 1,000 Filter Kit (Units with PX Hydraulic Fluid) (2019 & on)	
125-7025	Oil Filter	2
75-1310	Hydraulic Filter	1
86-6110	Hydraulic Filter	1
125-2915	Fuel Filter Water Separator	2
125-8752	Fuel Filter	2
108-3815	Air Filter	2
130-9070	Element Safety	2
30037	Groundsmaster 7200/7210 (2007) 400 Hour Filter Kit	
108-3841	Engine Oil Filter	3
108-5194	Transmission Oil Filter	2
98-9764	Fuel/Water Separator	1
108-3810	Air Filter	1
108-3828	Fuel Filter - In-Line	1
30052	Groundsmaster 7200/7210 (2008-2014) 400 Hour Filter Kit	
108-3841	Engine Oil Filter	3
108-5194	Transmission Oil Filter	1
110-9049	Fuel/Water Separator	1
108-3810	Air Filter	1
30035	Sand/Infield Pro 3040/5040 400 Hour Filter Kit	
107-7817	Engine Oil Filter	9
54-0110	Hydraulic Oil Filter	2
108-3811	Air Filter	2

QUICK REFERENCE GUIDE

FILTERS*

Equipment	Description	Part Number
Greensmaster Walkers		
Greensmaster 500/800/1000/1600/2600	Maintenance Kit (2012 & on)	30097
	Air Filter Element - Main	93-8636
	Air Filter Element - Wrapper	93-8637
	Gas Fuel Filter Screen (Greensmaster 1000 1995-Mid 1996 & on only)	93-8684
	Gas Fuel Filter Screen	94-6826
Greensmaster Flex 18/21	Maintenance Kit (2012 & on)	30097
	Air Filter Element - Main	93-8636
	Air Filter Element - Wrapper	121-0618
	Gas Fuel Filter Screen	121-0685
Greensmaster Riders		
Greensmaster 3000	Engine Oil Filter Breather Element	235118
	Air Filter Element - Main	4508302
	Air Filter Element - Wrapper	4508301
	In-Line Fuel Filter	108-3831
	Hydraulic Oil Filter Element	74-3570
	Air Filter Element	92-0530
Greensmaster 3000D	Engine Oil Filter	108-3841
	Air Filter Element	108-3833
	Fuel Filter Diesel - Electric Pump	43-2550
	Fuel Filter Element - Diesel	63-8300
Greensmaster 3050/3100	Hydraulic Oil Filter	74-3570
	Engine Oil Filter	107-7817
	Air Filter Element - Main	92-0527
	In-Line Fuel Filter	94-2690
Greensmaster 3150	Hydraulic Oil Filter	74-3570
	400 Hour Filter Kit (Up to 2011)	30064
	800 Hour Filter Kit (2013 & on)	131-6262
	MVP Kit 1,000 Hour (2019 & on)	44955
	Engine Oil Filter	107-7817
Greensmaster 3200D	Air Filter Element - Main	92-0527
	In-Line Fuel Filter	94-2690
	Hydraulic Oil Filter	107-9531
	Engine Oil Filter	85-4930
	Air Filter Element	108-3811
	Diesel Fuel Filter	130336040
	Hydraulic Oil Filter Element	75-1310

Equipment	Description	Part Number
Greensmaster 3250D	400 Hour Filter Kit (2003-2006)	30018
	400 Hour Filter Kit (2007-2011)	30062
	500 Hour Filter Kit (2012 & on)	30086
	MVP Kit 1,000 Hour (2019 & on)	44968
	Engine Oil Filter (2007-2011)	108-3842
	Engine Oil Filter (2012 & on Kubota)	115-8189
	Air Filter Element	108-3811
	Air Filter Safety	98-2982
	Diesel Fuel Filter Element (2000-2006)	100-3192
	Bio-Diesel Fuel Filter Element (2007-2011)	112-9188
	Filter - Spin on	110-9049
	Hydraulic Oil Filter Element (2000-2002)	75-1310
	Hydraulic Oil Filter Element (2003 & on)	107-9531
	Greensmaster 3300/3320	400 Hour Filter Kit
	MVP Kit 1,000 Hour (2019 & on)	44969
	In-Line Fuel Filter	115-7854
	Fuel Filter	94-2690
	Hydraulic Oil Filter	108-5194
Greensmaster 3360 (e-TriFlex)	MVP Kit 400 Hour (2019 & on)	44971
	Filter - Fuel Inline	115-7854
	Filter - Element Air	120-7448
Greensmaster 3400/3420	400 Hour Filter Kit	30043
	MVP Kit 1,000 Hour (2019 & on)	44970
	Engine Oil Filter	115-8189
	Air Filter	108-3811
	Diesel Fuel Filter (2008 & on)	110-9049
	Hydraulic Oil Filter Element	108-5194
Reelmaster		
Reelmaster 3100	400 Hour Filter Kit (1999-2007)	30016
	400 Hour Filter Kit (2008 & on)	44963
	Engine Oil Filter	108-3841
	Engine Oil Filter Breather Element	98-9493
	Air Filter Element (2005 & on)	108-3811
	In-Line Plastic Diesel Fuel Filter (1999-07 & 2010)	98-7612
	In-Line Metal Diesel Fuel Filter (1999-2007)	108-3828
	Diesel Fuel Filter Element (1999-2007)	98-9764
	Diesel Fuel Filter Element (2008 & on)	110-9049
	In-Line Bio-Diesel Kit	112-7836
	Element Bio-Diesel Kit	110-9015
	Hydraulic Oil Filter Element	54-0110
	Filter Head	92-5821

Equipment	Description	Part Number
Reelmaster 3550D	400 Hour Filter Kit	30090
	MVP Kit 1,000 Hour (2019 & on) Tier 4	44963
	Air Filter	108-3811
	Engine Oil Filter	108-3841
	Transmission Oil Filter	86-3010
	Spin on Filter	110-9049
	Filter Head	92-5821
Reelmaster 5100D	Engine Oil Filter	108-3841
	Air Filter Element	108-3833
	Air Filter Pre-Cleaner Assembly	48-7430
	Diesel Fuel Filter Element Separator	63-8300
	Diesel Electric Fuel Pump Filter (EFP)	43-2550
	Hydraulic Oil Filter Element Reservoir	75-1310
	Hydraulic Oil Filter Element Trans	110-4146
	Hydraulic Oil Filter Element Front Axle	75-6340
Reelmaster 5210/5410/5510	400 Hour Filter Kit (2006-07)	30039
	400 Hour Filter Kit (2008 & on) non Tier4	30054
	MVP Kit 1,000 Hour (2019 & on) Non-Tier 4	44959
	MVP Kit 1,000 Hour (2019 & on) Tier 4	44964
	Engine Oil Filter	108-3841
	Air Filter Element	108-3810
	In-Line Plastic Diesel Fuel Filter (2006-2007)	98-7612
	In-Line Metal Diesel Fuel Filter (2006-2007)	108-3828
	Diesel Fuel Filter Element (2006-2007)	98-9764
	Diesel Fuel Filter Element (2008 & on)	110-9049
Reelmaster 5410G/5510G	In-Line Bio-Diesel Kit	112-7836
	Element Bio-Diesel Kit	110-9015
	Filter Head	92-5821
	800 Hour Filter Kit	30091
	Air Filter	108-3810
	Oil Filter	108-3841
	Filter Element	94-2621
	Transmission Oil Filter	86-3010
	800 Hour Filter Kit Tier4 Final	30093
	Air Filter	108-3810
Reelmaster 5410D/5510D	Engine Filter	125-7025
	Filter Element	94-2621
	Transmission Oil Filter	86-3010
	Filter Spin on	125-2915
	Fuel Filter	125-8752
	800 Hour Filter Kit	30247
	MVP Kit 1,000 Hour (2019 & on)	44966
	Engine Oil Filter	108-3841
Reelmaster 5010-H	Fuel/Water Separator	110-9049
	Hydraulic Oil Filter	86-3010
	Air Filter	108-3810

Equipment	Description	Part Number
Reelmaster 5200D/5400D	400 Hour Filter Kit	30015
	Engine Oil Filter	108-3841
	Engine Oil Filter Breather Element	98-9493
	Air Filter Element (2005 & on)	108-3810
	Air Filter Pre-Cleaner Assembly	48-7430
	In-Line Plastic Diesel Fuel Filter (1998)	98-7612
	In-Line Metal Diesel Fuel Filter (1998)	108-3828
	Diesel Fuel Filter Assembly (1991-2001)	99-8351
	Diesel Fuel Filter Element (1991-2001)	99-8358
	In-Line Plastic Diesel Fuel Filter (2002 & on)	98-7612
	In-Line Metal Diesel Fuel Filter (2002 & on)	108-3828
	Diesel Fuel Filter Element Separator	98-9764
	In-Line Bio-Diesel Kit	112-7836
	Bio-Diesel Fuel Filter Element	110-9015
	Hydraulic Oil Filter Element Reservoir	75-1310
Reelmaster 5300D	Hydraulic Oil Filter Element Trans	110-4146
	Hydraulic Oil Filter Element Front Axle	75-6340
	Engine Oil Filter	112-8409
	Air Filter Element	108-3833
	Air Filter Pre-Cleaner Assembly	48-7430
	Diesel Fuel Filter Element Separator	63-8300
	Diesel Electric Fuel Pump	43-2550
	Hydraulic Oil Filter Element Reservoir	75-1310
	Hydraulic Oil Filter Element Trans	110-4146
	Hydraulic Oil Filter Element Front Axle	75-6340
Reelmaster 5500D	400 Hour Filter Kit	30038
	Engine Oil Filter	108-3841
	Engine Oil Breather Element	98-9493
	Air Filter Element (2005 & on)	108-3810
	Air Filter Pre-Cleaner Assembly	48-7430
	In-Line Diesel Fuel Filter (2000-2001)	99-8351
	In-Line Plastic Diesel Fuel Filter (2002 & on)	98-7612
	In-Line Metal Diesel Fuel Filter (2002 & on)	108-3828
	Diesel Fuel Filter Element Separator	98-9764
	In-Line Bio-Diesel Kit	112-7836
	Bio-Diesel Fuel Filter Element	110-9015
Hydraulic Oil Filter Element Reservoir	94-2621	
Hydraulic Oil Filter Element Trans	110-4146	
Hydraulic Oil Filter Element Front Axle	75-6340	

Equipment	Description	Part Number
Reelmaster Continued		
Reelmaster 5610	400 Hour Filter Kit (2006–2007)	30040
	400 Hour Filter Kit (2008–2012)	30055
	MVP Kit 1,000 Hour (2019 & on) Non-Tier 4	44960
	Engine Oil Filter	108-3841
	Air Filter Element	108-3812
	In-Line Plastic Diesel Fuel Filter (2006–2007)	98-7612
	In-Line Metal Diesel Fuel Filter (2006–2007)	108-3828
	Diesel Fuel Filter Element (2006–2007)	98-9764
	Diesel Fuel Filter Element (2008 & on)	110-9049
	In-Line Bio-Diesel Kit	112-7836
	Bio-Diesel Fuel Filter Element	110-9015
Hydraulic Oil Filter Element Steering	86-3010	
Hydraulic Oil Filter Element	94-2621	
Reelmaster 6500D/6700D	400 Hour Filter Kit (2003–2007)	30014
	400 Hour Filter Kit (2008 & on)	30057
	Engine Oil Filter (1995–2001)	108-3837
	Engine Oil Filter (2001 & on)	108-3841
	Engine Oil Breather Element (2001 & on)	98-9493
	Air Filter Outer	108-3812
	Air Filter Inner	108-3813
	Diesel Fuel Filter Element (1995–2001)	76-5220
	Diesel Fuel Filter Assembly (2001–2002)	99-8351
	Diesel Fuel Filter Element (2001–2002)	99-8358
	In-Line Plastic Diesel Fuel Filter (2003–2007)	98-7612
In-Line Metal Diesel Fuel Filter (2003–2007)	108-3828	
Diesel Fuel Filter Element (2003–2007)	98-9764	
Diesel Fuel Filter Element (2008 & on)	110-9049	
In-Line Bio-Diesel Kit	112-7836	
Element Bio-Diesel Kit	110-9015	
Hydraulic Oil Filter Element	94-2621	
Reelmaster 335D/3500D	Engine Oil Filter	108-3837
	Air Filter Element	108-3833
	Diesel Fuel Filter Element	76-5220
	Hydraulic Oil Filter Element	86-3010
Reelmaster 450D/4500D	Engine Oil Filter	108-3835
	Air Filter Element	108-3833
	Air Filter Pre-Cleaner Assembly	48-7430
	Diesel Fuel Filter Element	60-5470
	Hydraulic Oil Filter Element (1986–1992)	69-1720
	Hydraulic Oil Filter Element (1993 & on)	86-6110

Equipment	Description	Part Number
Reelmaster 4000D	400 Hour Filter Kit (2002–2007)	30012
	400 Hour Filter Kit (2008 & on)	30061
	Engine Oil Filter	104-5169
	Engine Oil Breather Element	98-7419
	Air Filter Outer	108-3812
	Air Filter Inner	108-3813
	In-Line Plastic Diesel Fuel Filter (1998–2001)	98-7612
	In-Line Metal Diesel Fuel Filter (1998–2001)	108-3828
	In-Line Diesel Fuel Filter Assembly (2002–2003)	99-8351
	In-Line Diesel Fuel Filter Element (2002–2003)	99-8358
	In-Line Plastic Diesel Fuel Filter (2004–2007)	98-7612
Reelmaster 7000D	In-Line Metal Diesel Fuel Filter (2004–2007)	108-3828
	Diesel Fuel Filter Element Separator (1998–2001)	76-5220
	Diesel Fuel Filter Element Separator (2002 & on)	98-9764
	In-Line Bio-Diesel Kit	112-7836
	Element Bio-Diesel Kit	110-9015
	Hydraulic Oil Filter Element	86-6110
	Engine Oil Filter	104-5169
	Air Filter Outer	108-3814
	Air Filter Inner	108-3816
	Gas Fuel Filter Element (2008 & on)	110-9049
	Hydraulic Oil Filter AT Pump	75-1310
Hydraulic Oil Filter AT Manifold	94-2621	
Oil Filter	93-2242	
Groundsmaster		
Groundsmaster 3200	Engine Oil Filter	135-4181
	Air Filter Element - Main	108-3811
	Fuel Filter Element	134-3085
	Water/Fuel Separator Filter	110-9049
Hydraulic Oil Filter - Transmission	86-3010	
Groundsmaster 3300/3310	Engine Oil Filter	125-7025
	Air Filter Element	108-3810
	Fuel Filter Element	139-6017
	Water/Fuel Separator Filter	125-2915
Hydraulic Oil Filter - Transmission	86-3010	
Groundsmaster e3200	Hydraulic Oil Filter - Transmission	86-3010

Equipment	Description	Part Number
Groundsmaster 3280D	400 Hour Filter Kit (2005–2007)	30034
	400 Hour Filter Kit (2008–2015)	30051
	400 Hour Filter Kit (2016 & on)	30262
	Engine Oil Filter	108-3841
	Air Filter Element (2005 & on)	108-3810
	In-Line Plastic Diesel Fuel Filter (2005–2007)	98-7612
	In-Line Metal Diesel Fuel Filter (2005–2007)	108-3828
	Diesel Fuel Filter Element (2005–2007)	98-9764
	Diesel Fuel Filter Element (2008 & on)	110-9049
	In-Line Bio-Diesel Fuel Filter Kit	112-7836
	Bio-Diesel Fuel Filter Element	110-9015
Hydraulic Oil Filter Element - Trans	23-2300	
Groundsmaster 3320	Engine Oil Filter	108-3842
	Air Filter Element (2005 & on)	108-3810
	In-Line Gas Fuel Filter	108-3854
	Hydraulic Oil Filter Element - Trans	23-2300
Groundsmaster 3500D/3505D	400 Hour Filter Kit (2002–2007)	30027
	400 Hour Filter Kit (2008–2012)	30058
	400 Hour Filter Kit (2013 & on)	30090
	MVP Kit 1,000 Hour (2019 & on) Non-Tier 4	44962
	MVP Kit 1,000 Hour (2019 & on) Tier 4	44963
	Engine Oil Filter	108-3841
	Engine Oil Filter Breather Element	98-9493
	Air Filter Element (2005 & on)	108-3810
	In-Line Plastic Diesel Fuel Filter (2002–2007)	98-7612
	In-Line Metal Diesel Fuel Filter (2002–2007)	108-3828
	Diesel Fuel Filter Element (2002–2007)	98-9764
Diesel Fuel Filter Element (2008–2012)	110-9049	
In-Line Bio-Diesel Fuel Filter Kit	112-7836	
Bio-Diesel Fuel Filter Element	110-9015	
Hydraulic Oil Filter Element (2000–2001)	54-0110	
Hydraulic Oil Filter Element (2002 & on)	86-3010	
Groundsmaster 3500G	MVP Kit 1,000 Hour (2019 & on)	44965

Equipment	Description	Part Number	
Groundsmaster 4000D/4100D	400 Hour Filter Kit (2001–2007)	30029	
	400 Hour Filter Kit (2008 & on)	30056	
	800 Hour Filter Kit (T4I)	30089	
	800 Hour Filter Kit (T4F)	30408	
	MVP Kit 1,000 Hour (2019 & on)	44967	
	Engine Oil Filter (2001 & on)	104-5169	
	Engine Oil Filter Breather Element	98-7419	
	Air Filter Element Inner (2004 & on)	108-3816	
	Air Filter Element Outer (2004 & on)	108-3814	
	In-Line Plastic Diesel Fuel Filter (2001–2007)	98-7612	
	In-Line Metal Diesel Fuel Filter (2001–2007)	108-3828	
Diesel Fuel Filter Element (2001–2007)	98-9764		
Diesel Fuel Filter Element (2008 & on)	110-9049		
In-Line Bio-Diesel Fuel Filter Kit	112-7836		
Bio-Diesel Fuel Filter Element	110-9015		
Hydraulic Oil Filter Element AT Pump	75-1310		
Hydraulic Oil Filter Element AT Manifold	94-2621		
Oil Filter	93-2242		
Filter - Fuel/ Water Separator	125-2915		
Groundsmaster 4300D	400 Hour Filter Kit (2008–2012)	30055	
	800 Hour Filter Kit (2013 & on)	30093	
	MVP Kit 1,000 Hour (2019 & on) Tier 4	44964	
	Engine Oil Filter	108-3841	
	Air Filter	108-3812	
	In-Line Diesel Fuel Filter	110-9044	
	Diesel Fuel Filter Element (2008–2012)	110-9049	
	Hydraulic Oil Filter Reservoir Element	94-2621	
	Hydraulic Oil Filter AT Pump Element	86-3010	
	Groundsmaster 4500D/4700D	400 Hour Filter Kit (2001–2007)	30029
		400 Hour Filter Kit (2008 & on)	30056
800 Hour Filter Kit (T4i)		30089	
800 Hour Filter Kit (T4F)		30408	
Engine Oil Filter		104-5169	
Engine Oil Filter Breather Element		98-7419	
Air Filter Element Inner (2004 & on)		108-3816	
Air Filter Element Outer (2004 & on)		108-3814	
In-Line Plastic Diesel Fuel Filter (2002–2007)		98-7612	
In-Line Metal Diesel Fuel Filter (2002–2007)		108-3828	
Diesel Fuel Filter Element (2002–2007)		98-9764	
Diesel Fuel Filter Element (2008 & on)	110-9049		
In-Line Bio-Diesel Fuel Filter Kit	112-7836		
Bio-Diesel Fuel Filter Element	110-9015		
Hydraulic Oil Filter Element AT Pump	75-1310		
Hydraulic Oil Filter Element AT Manifold	94-2621		
Oil Filter	93-2242		

QUICK REFERENCE GUIDE

FILTERS*

Equipment	Description	Part Number	
Groundsmaster Continued			
Groundsmaster 5900/5910	400 Hour Filter Kit	30041	
	MVP Kit 1,000 Hour (2019 & on)	44958	
	Engine Oil Filter	130-8860	
	Air Filter Element Inner	115-8877	
	Air Filter Element Outer	115-8887	
	Diesel Fuel Filter Element AT Engine	117-2792	
	Diesel Fuel Filter Element AT Separator	115-5471	
	Hydraulic Oil Filter Main Element	86-6110	
	Hydraulic Oil Filter PTO Element	75-1310	
	Fuel Filter (2016 & on)	125-8752	
	Engine Filter (2016 & on)	125-7025	
Groundsmaster 7200/7210	400 Hour Filter Kit (2007)	30037	
	400 Hour Filter Kit (2008-2014)	30052	
	MVP Filter Kit, Tier 4 Final (2015 & on)	30261	
	Engine Oil Filter	108-3841	
	Air Filter Element	108-3810	
	In-Line Plastic Diesel Fuel Filter (2007)	98-7612	
	In-Line Metal Diesel Fuel Filter (2007)	108-3828	
	Diesel Fuel Filter Element (2007)	98-9764	
	Diesel Fuel Filter Element (2008 & on)	110-9049	
	Bio-Diesel Fuel Filter Element	110-9015	
	Hydraulic Oil Filter Element - Trans	108-5194	
	Filter - Fuel/Water Separator	125-2915	
	Aerator		
	ProCore 648/648s	Inline Fuel Filter	115-7854
Hydraulic Oil Filter		107-9531	
Workman			
Workman MDX	400 Hour Filter Kit	30004	
	Engine Oil Filter	107-7817	
	Air Filter Element	108-3811	
	In-Line Gas Fuel Filter	94-2690	
Workman HD	Engine Oil Filter	12 050 01-S	
	Air Filter Pre-Cleaner	24 083 05-S	
	Air Filter Element	24 083 03-S	
	In-Line Gas Fuel Filter (2012 & on)	108-3854	
	In-Line Gas Fuel Filter	115-7854	
Hydraulic Oil Filter Element	54-0110		
Engine Oil Filter	108-3847		

Equipment	Description	Part Number	
Workman HDX	400 Hour Maintenance Kit	30073	
	Engine Oil Filter (2012 & Older)	108-3842	
	Engine Oil Filter (2013 & on)	115-8189	
	Air Filter Element (2012 & Older)	108-3811	
	Air Filter Element (2013 & on)	108-3810	
	In-Line Gas Fuel Filter	115-7854	
	Gas Fuel Filter (2013 & on)	115-7818	
	Hydraulic Oil Filter	54-0110	
Workman HDX-D	400 Hour Maintenance Kit	30068	
	Engine Oil Filter	108-3842	
	Air Filter Element	108-3811	
	Diesel Fuel Filter Element - Separator	110-9049	
	Hydraulic Oil Filter Element	54-0110	
Workman HDX-Auto	400 Hour Maintenance Kit	131-8276	
	Engine Oil Filter	108-3847	
	Fuel Filter Element	115-7818	
	In-Line Fuel Filter	115-7854	
	Air Filter Element	108-3811	
Workman GTX	400 Hour Maintenance Kit	136-6280	
	Air Filter	108-3811	
	Spark Plug	130-8380	
	Fuel Filter	56-6360	
Workman UTX Gas	Fuel Filter	115-7854	
	Air Filter	108-3810	
Workman UTX Diesel	Fuel Filter	110-9049	
	Air Filter	108-3810	
Multi Pro Sprayers			
Multi Pro Sprayers 1200/1250/1750	MVP Kit Filter/ Screen Suction (MP 1750)	131-3751	
	Engine Oil Filter	108-3847	
	Air Filter Element - Main	47 083 03-S	
	Air Filter Element - Wrapper	24 083 02-S	
	In-Line Gas Fuel Filter	24 050 02-S	
	Hydraulic Oil Filter Element	54-0110	
Multi Pro Sprayers 5800	Engine Oil Filter	108-3841	
	Air Filter Element	108-3810	
	Diesel Fuel Filter Element	110-9049	
	Separator Filter Assembly	110-9044	
	50 Blue Suction Hydraulic Oil Filter	100-8642	
	Hydraulic Oil Filter Element AT Pump	75-1310	
	Gasoline Fuel Filter Element	125-2902	
	Oil Filter	93-2242	

Equipment	Description	Part Number
Specialty Turf Equipment		
Field Pro® 6040	Air Filter Element - Main	108-3811
	Air Filter Element - Secondary	98-2982
	Hydraulic Oil Filter Element	86-3010
ProCore 648	Fuel Filter	115-7854
	Hydraulic Filter (1)	1-633750
	Hydraulic Filter (2)	107-9531
ProCore 648s	Fuel Filter	115-7854
	Hydraulic Filter (1)	107-9531
	Hydraulic Filter (2)	75-1310
Sand Pro	Air Filter Element	108-3808
	In-Line Gas Fuel Filter	108-3831
	Hydraulic Oil Filter Element	23-9740
Sand Pro 2000/3000	Air Filter Element - Main	45 083 02
	Air Filter Element - Wrapper	45 083 01
	Air Filter Element - Remote	108-3808
	In-Line Gas Fuel Filter	108-3831
	Hydraulic Oil Filter Element	23-9740
Sand Pro 2020/3020/5020	Engine Oil Filter	107-7817
	Air Filter Element - Main	92-0527
	Air Filter Element - Wrapper	272490S
	Air Filter Element - Remote	108-3811
	In-Line Gas Fuel Filter	94-2690
Sand Pro 5000	Hydraulic Oil Filter Element	23-9740
	Engine Oil Filter	107-7817
	Air Filter Element - Main	92-0527
	Air Filter Element - Wrapper	272490S
	Air Filter Element - Remote (1992-1994)	108-3808
	Air Filter Element - Remote (1995 & on)	108-3811
Sand/Infield Pro 3040/5040	In-Line Gas Fuel Filter	94-2690
	Hydraulic Oil Filter Element	23-9740
	400 Hour Maintenance Kit	30035
	MVP Kit 1,000 Hour (2019 & on)	44957
	Engine Oil Filter	107-7817
Air Filter Element - Remote	108-3811	
In-Line Gas Fuel Filter	94-2690	
Hydraulic Oil Filter Element	54-0110	

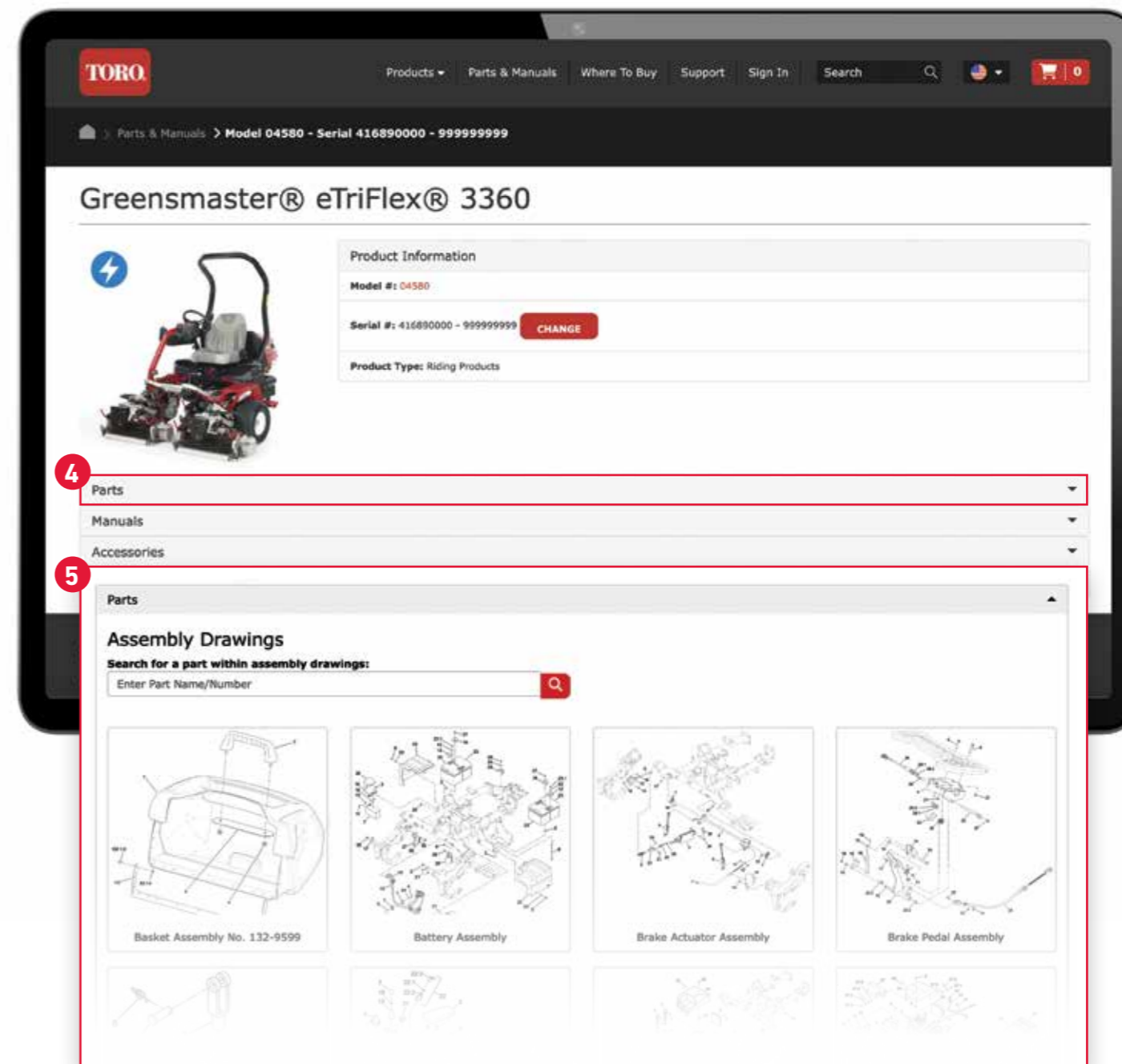
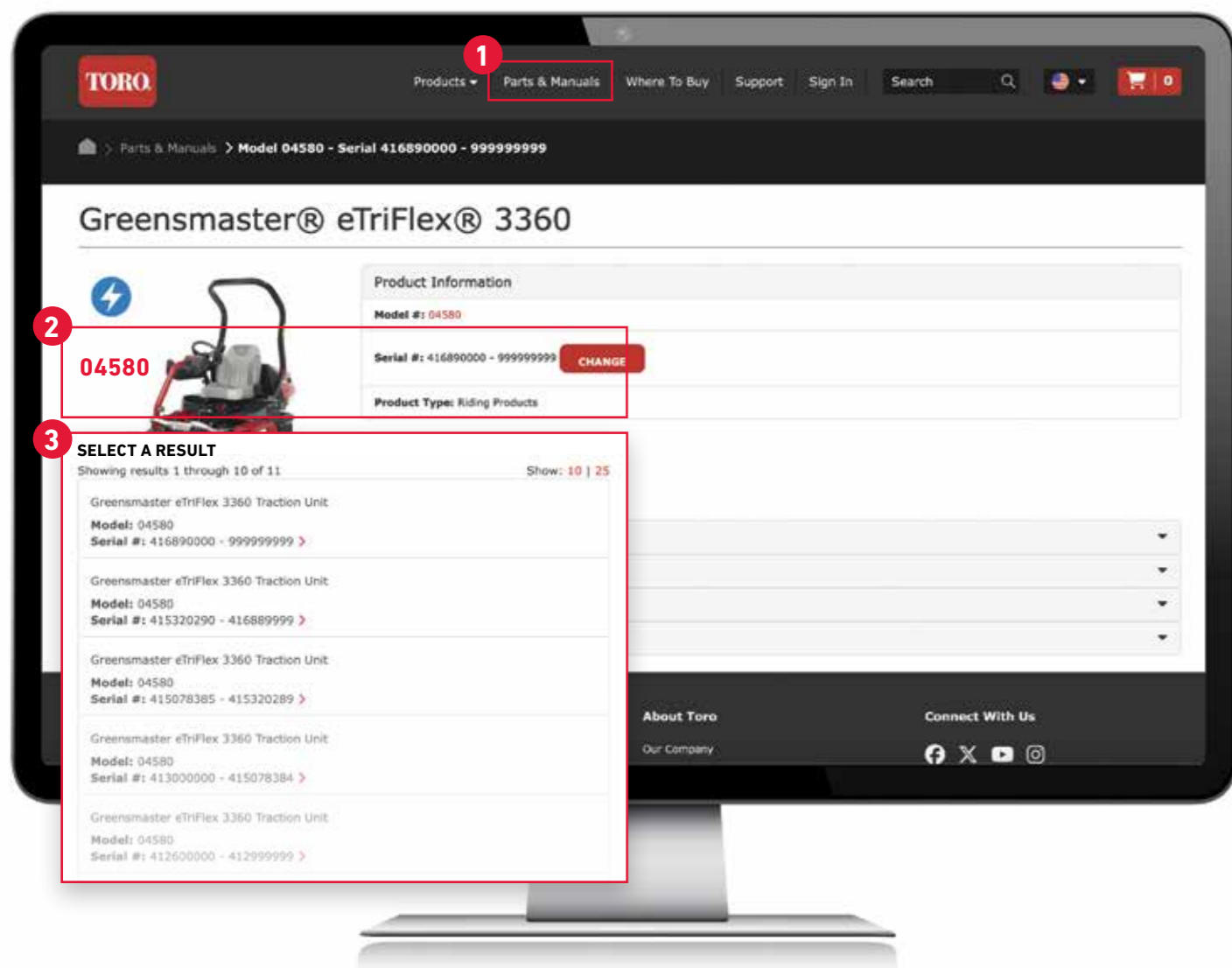
QUICK REFERENCE GUIDE

MVP KITS*

Equipment	Description	Part Number
Sand Pro 2040Z	400 Hour Filter Maintenance Kit	08725
	Filter Element	114-3494
	Inner Filter Kit	127-0381
	Oil Filter	119-5852
	Air Filter	108-3811
	Carbon Canister Filter	115-7854
In-Line Fuel Filter	121-4570	
Top Dresser	Diesel Fuel Filter Element (2500)	86-3010
ProForce Debris Blower 800	Engine Oil Filter	108-3847
	Air Filter Element - Main	24 083 03
	Air Filter Element - Wrapper	24 083 05
In-Line Gas Fuel Filter	108-3854	
ProLine H800 (PLH800)	Air Filter Element - Inner	134-0576
	Air Filter Element - Inner	134-3961
	Hydraulic Filter	134-1368
	Air Filter	134-0575
	Air Filter	134-3959
	Fuel Filter	134-1524
	Fuel Filter	134-1997
	Engine Oil Filter	134-1208
Hydraulic Tank Filter	134-3123	
Fuel Filter Assembly	134-1447	
Pre-Filter Air	134-0567	
Vista EFI Gas	10 Micron Fuel Filter	145-7282
	30 Micron Fuel Filter	145-7283
	In-Line Fuel Filter	115-7854
	Air Filter	145-7199
Outcross 9060	Engine Oil Filter	125-7025
	Air Filter	108-3814
	Fuel/Water Separator Filter	125-2915
	Fuel Oil/Filter	125-8752

FIND CURRENT PARTS INFO AT **TORO.COM**

At Toro, we know your job depends on keeping your equipment in top condition. Toro.com has all the latest parts information, right at your fingertips.



1 Go to **Toro.com** and click **Parts & Manuals**

2 Enter the **model number** or **keyword**

3 Select a result

4 Click **Parts**

5 Select an **Assembly Drawing** or enter the **part name or number** in the search bar

Equipment	Description	Part Number
Groundsmaster		
Groundsmaster Series Decks 52/62/200	Standard Blade	52"/132.1 cm SD & RD Deck (18"/45.7 cm Blade) 27-0990-03
	High Sail Blade	52"/132.1 cm SD & RD Deck (18"/45.7 cm Blade) 44-5480
	Atomic Blade	52"/132.1 cm SD & RD Deck (18"/45.7 cm Blade) 104-1301
	Atomic Blade Service Pack	52"/132.1 cm SD & RD Deck (6 #104-1301 Blades) 108-1477
	Standard Blade	62"/157.5 cm Guardian (21.75"/55.2 cm Blade) 92-5608-03
	Standard Blade	62"/157.5 cm SD & RD Deck (21.75"/55.2 cm Blade) 44-6250-03
	High Sail Blade	62"/157.5 cm SD & RD Deck (21.75"/55.2 cm Blade) 77-6710-03
	Atomic Blade	62"/157.5 cm SD & RD Deck (21.75"/55.2 cm Blade) 104-1303
	Atomic Blade Service Pack	62"/157.5 cm SD & RD Deck (6 #104-1303 Blades) 106-0631
	Standard Blade	72"/182.9 cm SD & RD Deck (24.75"/62.9 cm Blade) 94-1861-03
	High Sail Blade	72"/182.9 cm SD & RD Deck (24.75"/62.9 cm Blade) 104-4569-03
	Atomic Blade	72"/182.9 cm SD & RD Deck (24.75"/62.9 cm Blade) 104-1304
	Atomic Blade Service Pack	72"/182.9 cm SD & RD Deck (6 #104-1304 Blades) 108-1478
	Groundsmaster Series Decks 72/300	Standard Blade
Standard Blade		72"/182.9 cm SD & RD Deck (25"/63.5 cm Blade) 29-5530-03
High Sail Blade		72"/182.9 cm SD & RD Deck (25"/63.5 cm Blade) 23-2410-03
Atomic Blade		72"/182.9 cm SD & RD Deck (25"/63.5 cm Blade) 106-4353-03
Atomic Blade Service Pack		72"/182.9 cm SD & RD Deck (6 #106-4354 Blades) 108-1454
Standard Blade		88"/223.5 cm Triflex Deck (19"/48.3 cm Blade) 63-0080-03
Groundsmaster 1200	Standard Blade	19"/48.3 cm 138-9029
	Medium Sail Blade	19"/48.3 cm 137-3659-03
	High Sail Blade	19"/48.3 cm 138-9028
	High Sail Blade	19"/48.3 cm 137-3671-03
	Atomic Blade	19"/48.3 cm 139-7799-03
	Atomic Blade Service Pack	19"/48.3 cm 140-0028
Groundsmaster 3280D	Standard Blade	52"/132.1 cm SD & RD Deck (18"/45.7 cm Blade) 27-0990-03
	High Sail Blade	52"/132.1 cm SD & RD Deck (18"/45.7 cm Blade) 44-5480
	Atomic Blade	52"/132.1 cm SD & RD Deck (18"/45.7 cm Blade) 104-1301
	Atomic Blade Service Pack	52"/132.1 cm SD & RD Deck (6 #104-1301 Blades) 108-1477
	Medium Sail Blade	60"/152.4 cm SD Deck (20.5"/52 cm Blade) 110-4701
	High Sail Blade	60"/152.4 cm SD Deck (20.5"/52 cm Blade) 110-4702-03
	Atomic Blade	60"/152.4 cm SD Deck (20.5"/52 cm Blade) 110-4703-03
	Standard Blade	62"/157.5 cm RD & Guardian Deck (21.75"/55.2 cm Blade) 92-5608-03
	Atomic Blade	62"/157.5 cm RD (21.75"/55.2 cm Blade) 107-0214-03
	Standard Blade	72"/182.9 cm RD & Guardian Deck (25"/62.2 cm Blade) 121-5347-03
	Medium Sail Blade	72"/182.9 cm SD Deck (24.5"/62.2 cm Blade) 144-3911
	High Sail Blade	72"/182.9 cm SD Deck (24.5"/62.2 cm Blade) 110-0622-03
	Atomic Blade	72"/182.9 cm RD & SD Deck (24.5"/62.2 cm Blade) 110-0624-03

Equipment	Description	Part Number
Groundsmaster 3200/3300	Medium Flow Kit Blade	60"/152.4 cm RD & SD Deck (20.5"/52 cm Blade) 144-3912
	High Flow Kit Blade	60"/152.4 cm RD & SD Deck (20.5"/52 cm Blade) 144-3913
	Atomic Kit Blade	60"/152.4 cm RD & SD Deck (20.5"/52 cm Blade) 144-3914
	Low Flow Kit Blade	60"/152.4 cm RD & SD Deck (20.5"/52 cm Blade) 144-3917
	Recycling Kit Blade	60"/152.4 cm RD & SD Deck (20.5"/52 cm Blade) 144-3918
	Low Flow Kit Blade	60"/152.4 cm RD Deck (20.5"/52 cm Blade) Tier 2 144-3964
	Recycling Kit Blade	60"/152.4 cm RD Deck (20.5"/52 cm Blade) Tier 2 144-3965
	Atomic Kit Blade	60"/152.4 cm RD Deck (20.5"/52 cm Blade) Tier 2 144-3967
	STD Kit Blade	72"/182.9 cm RD & SD Deck (24.5"/62.2 cm Blade) 144-3911
	Low Flow Kit Blade	72"/182.9 cm RD & SD Deck (24.5"/62.2 cm Blade) 144-3915
	Recycling Kit Blade	72"/182.9 cm RD & SD Deck (24.5"/62.2 cm Blade) 144-3916
	Low Flow Kit Blade	72"/182.9 cm RD Deck (24.5"/62.2 cm Blade) Tier 2 144-3962
	Recycling Kit Blade	72"/182.9 cm RD Deck (24.5"/62.2 cm Blade) Tier 2 144-3963
	Atomic Kit Blade	72"/182.9 cm RD Deck (24.5"/62.2 cm Blade) Tier 2 144-3966
Groundsmaster e3200	Low Flow Blade	60"/152.4 cm RD & SD Deck (20.5"/52 cm Blade) 145-1114
	Medium Flow Blade	60"/152.4 cm RD & SD Deck (20.5"/52 cm Blade) 145-1115
	Recycling Blade	60"/152.4 cm RD & SD Deck (20.5"/52 cm Blade) 145-1116
	Atomic Blade	60"/152.4 cm RD & SD Deck (20.5"/52 cm Blade) 147-2082
	Low Flow Kit Blade	60"/152.4 cm RD & SD Deck (20.5"/52 cm Blade) 161-7645
	Medium Flow Kit Blade	60"/152.4 cm RD & SD Deck (20.5"/52 cm Blade) 161-7646
	Recycling Kit Blade	60"/152.4 cm RD & SD Deck (20.5"/52 cm Blade) 161-7647
	Atomic Kit Blade	60"/152.4 cm RD & SD Deck (20.5"/52 cm Blade) 161-7648
	Low Flow Blade	72"/182.9 cm RD & SD Deck (24.5"/62.2 cm Blade) 147-2135
	Medium Flow Blade	72"/182.9 cm RD & SD Deck (24.5"/62.2 cm Blade) 147-2136
	Recycling Blade	72"/182.9 cm RD & SD Deck (24.5"/62.2 cm Blade) 147-2137
	Atomic Blade	72"/182.9 cm RD & SD Deck (24.5"/62.2 cm Blade) 161-7649
	Low Flow Kit Blade	72"/182.9 cm RD & SD Deck (24.5"/62.2 cm Blade) 161-7655
	Medium Flow Kit Blade	72"/182.9 cm RD & SD Deck (24.5"/62.2 cm Blade) 161-7656
Recycling Kit Blade	72"/182.9 cm RD & SD Deck (24.5"/62.2 cm Blade) 161-7657	
Atomic Kit Blade	72"/182.9 cm RD & SD Deck (24.5"/62.2 cm Blade) 161-7658	
Groundsmaster 3500D/3505D	Standard Blade	27"/68.6 cm Deck (27"/68.6 cm Blade) (2000-2005) 105-9810-03
	High Sail Blade	27"/68.6 cm Deck (27"/68.6 cm Blade) (2000-2005) 104-5183
	Combination Blade	27"/68.6 cm Deck (27"/68.6 cm Blade) (2006 & on) 108-9026
	Atomic Blade	27"/68.6 cm Deck (27"/68.6 cm Blade) (2006 & on) 107-0235-03
	Atomic Blade Service Pack	27"/68.6 cm Deck (6 #107-0235-03 Blades) 108-1462
Groundsmaster 360	Atomic Blade	72"/182.9 cm SD & Guardian Deck (24.5"/62.2 cm Blade) 110-0624-03
	Medium Sail Blade	72"/182.9 cm SD & Guardian Deck (24.5"/62.2 cm Blade) 110-0622-03
	High Sail Blade	100"/254 cm Deck (19"/48.3 cm Blade) 132-1319
Groundsmaster 4000D	Standard Blade	132"/335.3 cm Deck (21.75"/55.2 cm Blade) 92-5608-03
	STD Blade Service Pack	132"/335.3 cm Deck (7 #92-5608-03 Blades) 117-2722
	Flat Sail Blade	132"/335.3 cm Deck (21.75"/55.2 cm Blade) 110-6115-03
	Flat Sail Blade Service Pack	132"/335.3 cm Deck (7 #110-6115-03 Blades) 110-6130
	Medium Sail Blade	132"/335.3 cm Deck (21.75"/55.2 cm Blade) 136-4370-03
	Medium Sail Blade Service Pack	132"/335.3 cm Deck (7 #136-4370-03 Blades) 137-5500
	Atomic Blade	132"/335.3 cm Deck (21.75"/55.2 cm Blade) 107-0214-03
	Atomic Blade Service Pack	132"/335.3 cm Deck (7 #107-1214-03 Blades) 108-1450

Blades Reference Chart - Groundsmaster

GM Unit	Cutting Deck	Deck Model	Blade Length	Combo	Angle Sail	Low Flow	Medium Flow	High Flow	Atomic® Mulching	Flat	Standard
1200	54" RD (137 cm) 3x decks		19" (48.3 cm)				137-3659-03	137-3671-03	139-7799-03		137-3671-03
			Service Pack				138-9029	138-9028	140-0028		138-9029
3200 / 3300	60" SD (152 cm)	31970	20.5 (52 cm)				110-4701	110-4702-03	110-4703-03		110-4702-03
	60" RD (152 cm)	31971	20.5 (52 cm)				110-4701	110-4702-03	110-4703-03		110-4701
	72" SD (183 cm)	31972	24.5 (62 cm)				144-3911	110-0622-03	110-0624-03		110-0622-03
	72" RD (183 cm)	31973	24.5 (62 cm)				144-3911	110-0622-03	110-0624-03		144-3911
	60" RD (152 cm)	31974	20.5 (52 cm)		140-4855	140-4854			140-1241		140-4854
	72" RD (183 cm)	31975	24.5 (62 cm)		140-4852	140-4851			140-1239		140-4851
e3200	60" SD (152 cm)	31890	20.5 (52 cm)		145-1116	145-1114	145-1115		147-2082		145-1114
	60" RD (152 cm)	31891	20.5 (52 cm)		145-1116	145-1114	145-1115		147-2082		145-1114
3280-D	52" SD (132 cm)	30555	18" (46 cm)					44-5480	104-1301		27-0990-03
	60" SD (152 cm)	30366	20.5" (52 cm)					110-4702-03	110-4703-03		110-4701
	62" RD & Guardian (157 cm)	30403	21.75" (55 cm)						107-0214-03		92-5608-03
	72" SD (183 cm)	31336	24.5" (62 cm)				144-3911	110-0622-03	110-0624-03		
	72" RD & Guardian (183 cm)	31335 30303	25.18" (64 cm)								121-5347-03
360	60" SD (152 cm)	30456	20.5" (52 cm)				110-4701	110-4702-03	110-4703-03		110-4701
	62" Guardian (157 cm)	30457	21.75" (55.2 cm)						107-0214-03	110-6115-03	92-5608-03
	72" SD (183 cm)	30481	24.5" (62 cm)				144-3911	110-0622-03	110-0624-03		144-3911
	72" RD & Guardian (183 cm)	30353	25.18" (64 cm)	125-9444-03						112-9586-03	121-5347-03
100" RD (254 cm)	31101	19" (48.3 cm)	106-7166-03					132-1319			
		Service Pack						132-1325			
		25.18" (64 cm)	125-9444-03								



High Sail/Flow

- Provides best quality of cut in most grass conditions.
- Provides better air flow.

Angled Sail Blade

- Performs best in lower heights of cut 1.9 - 6.4 cm (3/4 - 2.5 in.)
- Less tendency to throw grass and discharge remains more even at lower heights of cut.



Atomic blade

- Provides the best quality of cut while mulching.
- Preferred blade for mulching applications.

10/17/2024

For more information, contact your local Toro distributor.

GM Unit	Cutting Deck	Deck Model	Blade Length	Combo	Angle Sail	Medium Flow	High Flow	Atomic® Mulching	Flat	Standard
3500-D 3500-G 3505-D	27" RD (69 cm)	30834	27" (68.6 cm)	108-9026	105-9810-03		104-5183	107-0235-03		
			Service Pack				108-1462			
4000-D 4010-D	Center & Wing Decks		21.75" (55.2 cm)			136-4370-03		107-0214-03	110-6115-03	92-5608-03
			Service Pack			137-5500				117-2722
4100-D 4110-D	Center & Wing Decks		19" (48.3 cm)	106-7166-03				107-0215-03	110-6116-03	
			Service Pack	130-2660						
4300-D	22" RD (55.9 cm)	30845	22" (55.9 cm)	108-7395-03	117-0209-03		114-0434-03	114-0435-03		
			Service Pack	119-6957						
4500-D	27" RD (69 cm)	30834	27" (69 cm)	108-9026	105-9810-03		104-5183	107-0235-03		
			Service Pack				108-1463			
4700-D	27" RD (69 cm)	30834	27" (69 cm)	108-9026	105-9810-03		104-5183	107-0235-03		
			Service Pack				108-1464			
T3 5900 T3 5910	3 RD Decks		20" (50.8 cm)	110-5946-03				110-5948-03		
			Service Pack	115-8896			114-0897			
T4 5900 T4 5910	3 RD Decks		20" (50.8 cm)					132-1390-03		130-9151-03
			Service Pack				132-1391		132-1392	
7200 / 7210	60" SD (152 cm)	30456	20.5" (52 cm)			110-4701	110-4702-03	110-4703-03		110-4701
	62" RD & Guardian (157 cm)	60457	21.75" (55.2 cm)					107-0214-03	110-6115-03	92-5608-03
	72" SD (183 cm)	30481	24.5" (62 cm)			144-3911	110-0622-03	110-0624-03		144-3911
	72" RD & Guardian (183 cm)	30353	25.18" (64 cm)	125-9444-03					112-9586-03	121-5347-03
	100" RD (254 cm)	31101	19" (48.3 cm)	106-7166-03				132-1319		
Service Pack						132-1325				
			25.18" (64 cm)	125-9444-03						



Medium Sail/Flow

- Provides better quality of cut.
- Better overall performance in most conditions.

Combination Sail Blade

- Provides excellent lift and dispersion.
- Standard blade on all Groundsmaster Contour mowers.



Flat Blade

- Low noise level.
- Lower power consumption.
- Reduced discharge velocity of clippings.

For more information, contact your local Toro distributor.

10/17/2024

Bedknives Reference Chart - Fairway

Reelmaster Unit	Description	HOC Range	No. of Holes	Lip Height**	Standard	EdgeMax™	Top Angle	Front Angle
3550 EdgeSeries™ Cutting Units DPA Cutting Units	18" (457 mm) Low Cut	1/4" - 1/2" (6.4 mm - 12.7 mm)	6	.220" (5.59 mm)	121-3167	137-6090 Insert	10°	5°
	18" (457 mm) Fairway Cut	3/8" and up (9.5 mm and up)	6	.270" (6.90 mm)	147-1241	137-6091 Insert	10°	5°
	22" (559 mm) Low Cut	1/4" - 1/2" (6.4 mm - 12.7 mm)	8	.220" (5.59 mm)	147-1244	137-6093 Insert	10°	5°
	22" (559 mm) Fairway Cut	3/8" and up (9.5 mm and up)	8	.270" (6.90 mm)	147-1245	137-6094 Insert	10°	5°
3555 / 3575 5010-H 5210 5410 5510 5610 6500 6700 EdgeSeries Cutting Units DPA Cutting Units	22" (559 mm) Low Cut	1/4" - 1/2" (6.4 mm - 12.7 mm)	8	.220" (5.59 mm)	147-1244	137-6093 Insert	10°	5°
	22" (559 mm) Low Cut Extended	1/4" - 1/2" (6.4 mm - 12.7 mm)	8	.220" (5.59 mm)	147-1243	119-4280 Solid	10°	10°
	22" (559 mm) Fairway Cut	3/8" and up (9.5 mm and up)	8	.270" (6.90 mm)	147-1245	137-6094 Insert	10°	5°
	22" (559 mm) Fairway Cut - Heavy Duty	1/2" and up (12.7 mm and up)	8	.370" (9.4 mm)	147-1246		10°	5°
3100 7000 EdgeSeries Cutting Units DPA Cutting Units	27" (686 mm) Fairway Cut	3/8" and up (9.5 mm and up)	10	.270" (6.90 mm)	147-1249	137-6095 Insert	10°	5°
	27" (686 mm) Low Cut Extended	1/4" - 1/2" (6.4 mm - 12.7 mm)	10	.220" (5.59 mm)	120-1641		10°	10°
	27" (686 mm) Fairway Cut - Heavy Duty	1/2" and up (12.7 mm and up)	10	.370" (9.4 mm)	147-1250		10°	5°
	32" (813 mm) Fairway Cut	3/8" and up (9.5 mm and up)	12	.270" (6.90 mm)	147-1253		10°	5°
	32" (813 mm) Low Cut Extended	1/4" - 1/2" (6.4 mm - 12.7 mm)	12	.220" (5.59 mm)	120-1642		10°	10°
	32" (813 mm) Fairway Cut - Heavy Duty	1/2" and up (12.7 mm and up)	12	.370" (9.4 mm)	147-1254		10°	5°
5 7 11 TDM (Turf Driven Mower) SPA Cutting Units	31" (787 mm) 11 Blade Reel	3/8" and up (9.5 mm and up)	11	.280" (7.11 mm)	47-6680		10°	30°
	31" (787 mm) 5 & 7 Blade Reel	1/2" and up (12.7 mm and up)	11	.380" (9.65 mm)	49-7660		10°	30°
5200 5300 5400 4-Bolt Cutting Units	21" (533 mm) Fairway Cut	3/8" and up (9.5 mm and up)	7	.270" (6.90 mm)	137-6097	137-6092 Insert	10°	10° & 5°
	21" (533 mm) Fairway Cut - Heavy Duty	1/2" and up (12.7 mm and up)	7	.345" (8.76 mm)	147-1242		10°	10°

10/17/2024

**Service limit (worn out condition) for all Fairway Bedknives is when the bedknife lip height is 0.190" (4.8 mm).
For more information, contact your local Toro distributor.

Bedknives Reference Chart - Greens

Greensmaster Unit	Description	HOC Range	No. of Holes	Standard	EdgeMax™	Min. Top Angle	Front Angle
800 Integral Cutting Unit Flex 18 Flex & eFlex 1800 / 1820 Greensmaster 1018	18" (457 mm) Low Cut	3/16" - 1" (4.8 mm - 25.4 mm)	11	110-2301		3°	13° + 4° - 0°
	18" (457 mm) Micro Cut	1/16" - 3/16" (1.6 mm - 4.8 mm)	11	98-7261	117-1530 Solid	3°	13° + 4° - 0°
	18" (457 mm) Micro Cut Extended*	1/16" - 3/16" (1.6 mm - 4.8 mm)	11	110-2300		7°	13° + 4° - 0°
	18" (457 mm) Micro Cut Short**	1/16" - 1" (1.6 mm - 25.4 mm)	11		139-4318 Solid	3°	13° + 4° - 0°
	18" (457 mm) Tournament Cut	1/8" - 1/2" (3.2 mm - 12.7 mm)	11	98-7260	117-1532 Solid	3°	13° + 4° - 0°
	18" (457 mm) Tournament Short**	1/8" - 1" (3.2 mm - 25.4 mm)	11		139-4319 Solid	3°	13° + 4° - 0°
1000 / 1010 / 2000 Integral Cutting Unit Flex 21 Flex 21 & eFlex 2100 / 2120 Greensmaster 1021 3000 / 3100 / 3200 / 3300 / 3400	21" (533 mm) Low Cut	3/16" - 1" (4.8 mm - 25.4 mm)	13	93-4264		3°	13° + 4° - 0°
	21" (533 mm) Micro Cut	1/16" - 3/16" (1.6 mm - 4.8 mm)	13	93-4262	115-1880 Solid	3°	13° + 4° - 0°
	21" (533 mm) Micro Cut Extended*	1/16" - 3/16" (1.6 mm - 4.8 mm)	13	108-4303		7°	13° + 4° - 0°
	21" (533 mm) Micro Cut Short**	1/16" - 1" (1.6 mm - 25.4 mm)	13		139-4320 Solid	3°	13° + 4° - 0°
	21" (533 mm) Tournament Cut	1/8" - 1/2" (3.2 mm - 12.7 mm)	13	93-4263	115-1881 Solid	3°	13° + 4° - 0°
	21" (533 mm) Tournament Cut Extended*	1/8" - 1/2" (3.2 mm - 12.7 mm)	13	108-4302		7°	13° + 4° - 0°
	21" (533 mm) Tournament Cut Short**	1/8" - 1" (3.2 mm - 25.4 mm)	13		139-4321 Solid	3°	13° + 4° - 0°
	21" (533 mm) High Cut	5/16" - 1" (7.9 mm - 25.4 mm)	13	94-6392		3°	13° + 4° - 0°
	21" (533 mm) Fairway Cut	3/8" - 1" (9.5 mm - 25.4 mm)	7	137-6097	137-6092 Insert	10°	13° + 4° - 0°
	1600 / 1610 / 2600 Integral Cutting Unit Greensmaster 1026	26" (660 mm) Low Cut	3/16" - 1" (4.8 mm - 25.4 mm)	16	93-9015		3°
26" (660 mm) Micro Cut		1/16" - 3/16" (1.6 mm - 4.8 mm)	16	112-9275	139-4324 Solid	3°	13° + 4° - 0°
26" (660 mm) Micro Cut Short**		1/16" - 1" (1.6 mm - 25.4 mm)	16		139-4322 Solid	3°	13° + 4° - 0°
26" (660 mm) Tournament Cut		1/8" - 1/2" (3.2 mm - 12.7 mm)	16	94-5885	117-1548 Solid	3°	13° + 4° - 0°
26" (660 mm) Tournament Short**		1/8" - 1" (3.2 mm - 25.4 mm)	16		139-4323 Solid	3°	13° + 4° - 0°
26" (660 mm) High Cut		5/16" - 1" (7.9 mm - 25.4 mm)	16	104-2646		3°	13° + 4° - 0°
26" (660 mm) Fairway Cut		3/8" - 1" (9.5 mm - 25.4 mm)	16	107-8181		3°	13° + 4° - 0°

10/17/2024

*If you experience scalping with the aggressive bedbar, switch to the extended bedknives.
**For aggressive and / or higher height of cut applications.
For more information, contact your local Toro distributor.

Service Reel Reference Chart - Fairway

Reelmaster Unit	Reel Length	Reel Diameter	Service Limit/Life	Cutting Unit Model	Reels+™			EdgeSeries (ES) Reels+™			
					5-Blade	7-Blade	8-Blade	11-Blade	5-Blade	8-Blade	11-Blade
3550	18" (457 mm)	5" (127 mm)	4.5" (114 mm)	03911**			137-8402 RR				
				03480**				137-8406 RR			
				03485ES							
				03912**			137-8403 RR			137-8407 FSR (137-8409 RR Service Only)	
			03481**								
			03486ES								
3550 - Rear Only 3555 5010-H 5410 Low-drag DPA Units (Aluminum Side Plates)	22" (559 mm)	5" (127 mm)	4.5" (114 mm)	03913**						137-8412 RR	
				03482**						137-8426 RR	
				03634							
				03487ES							
				03621ES							
				03483**							137-8413 RR
			03635								
			03488ES							137-8427 FSR	
			03623ES								
			03489 ES								
			03624 ES							137-8429 RR	
3575 5010-H 5510 / 5610 Low-drag DPA Units (Aluminum Side Plates)	22" (559 mm)	7" (178 mm)	6.6" (165 mm)	03638 ES						137-8445 RR	
				03639 ES						137-8446 FSR	
				03641 ES							137-8447 FSR
				03643 ES							137-8455 RR
5210/5410 DPA Units (Red Side Plates)	22" (559 mm)	5" (127 mm)	4.5" (114 mm)	03661			137-8416 RR			137-8422 RR	
				03694							
				03695			137-8417 RR			137-8423 FSR	
5510 5610 6500 6700 DPA Units (Red Side Plates)	22" (559 mm)	7" (178 mm)	6.6" (168 mm)	03681			137-8432 RR			137-8438 RR	
				03863							
				03696							
				03698							
				03864							
				03682					137-8433 RR		137-8439 FSR
			03697								
			03699								
			03693 ES								
3100 7000 Low-drag DPA Units (Aluminum Side Plates)	27" (686 mm)	7" (178 mm)	6.6" (168 mm)	03188 ES						137-8469 RR	
				03189 ES						137-8470 RR	
				03192 ES							
				03721 ES							
			03190 ES							137-8471 RR	
			03722 ES								
	32" (813 mm)	7" (178 mm)	6.6" (168 mm)	03191 ES					137-8482 RR Service Only	137-8483 RR	
03727 ES											
3100 7000 DPA Units (Red Side Plates)	27" (686 mm)	7" (178 mm)	6.6" (168 mm)	03180			137-8460 RR			137-8464 RR	
				03710							
				03181							
				03183				137-8461 RR			133-8271* RR
			03711								
	32" (813 mm)	7" (178 mm)	6.6" (168 mm)	03182					137-8476 Service Only	137-8477 RR	
03712											
5/7/11 TDM (Turf Driven Mower) SPA Units	30" (762 mm)	8" (203 mm)	7.6" (193 mm)	01005	130-0075* RR						
				01007		130-0071* RR					
				01011					130-0081* RR		
5200 5300 5400 4 Bolt Units	21" (533 mm)	5" (127 mm)	4.5" (114 mm)	03527	130-0088* RR						
				03506							
				03509					130-0093* RR		
				03528							
6500 6700 SPA Units	22" (559 mm)	7" (178 mm)	6.6" (168 mm)	03860			137-8452 RR				
				03861							
				03862						137-8453 RR	

*Reels+ / EdgeSeries Reels+ not available
**Thinner Greens blade

RR: Radial Reel
FSR: Forward Swept Reel

1.) Reel blade relief grind angle for all reels: 30° +/- 5°
2.) Fairway relief grinding required when land width is greater than 0.125" (3.2 mm).
3.) Maximum allowed taper on all reels is 0.010" (0.2 mm).

10/17/2024

For more information, contact your local Toro distributor.

Service Reel Reference Chart - Greens

Greensmaster Unit	Reel Length	Reel Diameter	Service Limit/Life	Cutting Unit Model	5-Blade HD	Reels+			EdgeSeries (ES) Reels+™			
						8-Blade	11-Blade	14-Blade	8-Blade	11-Blade	14-Blade	
Flex & eFlex 1800 / 1820 (2012 & newer) Greensmaster 1018	18" (457 mm)	5" (127 mm)	4.5" (114 mm)	04253							137-8522	
				04254				127-2165*			137-8523	
				04289 ES							137-8522	
				04823 ES								
			04291 ES								137-8523	
			04824 ES									
Flex 18 (2011 & older)	18" (457 mm)	5" (127 mm)	4.5" (114 mm)	04206								
				04207							137-8566*	
800 Integral Cutting Unit	18" (457 mm)	5" (127 mm)	4.5" (114 mm)	04054 ES				127-2160* Service Only			132-7353* Service Only	132-7354*
Flex & eFlex 2100 / 2120 (2012 & newer) Greensmaster 1021	21" (533 mm)	5" (127 mm)	4.5" (114 mm)	04832 ES							137-8511	
				04251								
				04833 ES							137-8512	
				04290 ES								
				04252								137-8513
			04834 ES									
			04292 ES									
Flex 21 (2011 & older)	21" (533 mm)	5" (127 mm)	4.5" (114 mm)	04200							137-8570*	
				04202								
				04208							137-8574*	
1000 / 1010 / 2000 Integral Cutting Unit	21" (533 mm)	5" (127 mm)	4.5" (114 mm)	04055 ES							132-7312*	
				04034								
				04036							132-7313*	132-7314* Service Only
				04052								
			04038 ES									
Greensmaster 1026	26" (660 mm)	5" (127 mm)	4.5" (114 mm)	04842 ES							138-5753	
				04843 ES							138-5755	
1600 / 1610 / 2600 Integral Cutting Unit	26" (660 mm)	5" (127 mm)	4.5" (114 mm)	04035							132-7361*	
				04060								
				04056 ES								
				04037								132-7362*
			04039 ES									
3000 / 3100 / 3200 / 3300 / 3400 Low Drag DPA Seal Cutting Unit (2012 & newer)	21" (533 mm)	5" (127 mm)	4.5" (114 mm)	04613						HD: 137-8517 Service Only	137-8511	
				04618								
				04651 ES								
				04652 ES								
				04614								
				04619							137-8512	
			04653 ES									
			04654 ES									
			04615								137-8513	
			04624									
			04655 ES									
			04656 ES									
3000 / 3100 / 3200 DPA Cutting Units (2011 & older)	21" (533 mm)	5" (127 mm)	4.5" (114 mm)	04610		131-2013* Service Only		HD: 137-8505* Service Only			137-8495*	
				04611							137-8496*	
				04616								137-8497*

*Reels+ / EdgeSeries Reels+ not available

- 1.) Reel blade relief grind angle for all reels: 30° +/- 5°
- 2.) Relief grinding required when land width is greater than 0.100" (2.5 mm).
- 3.) Maximum allowed taper on all reels is 0.010" (0.2 mm).
- 4.) EdgeSeries Reels standard on 2016 models and newer.

HD: Heavy Duty

ES: EdgeSeries Cutting Unit

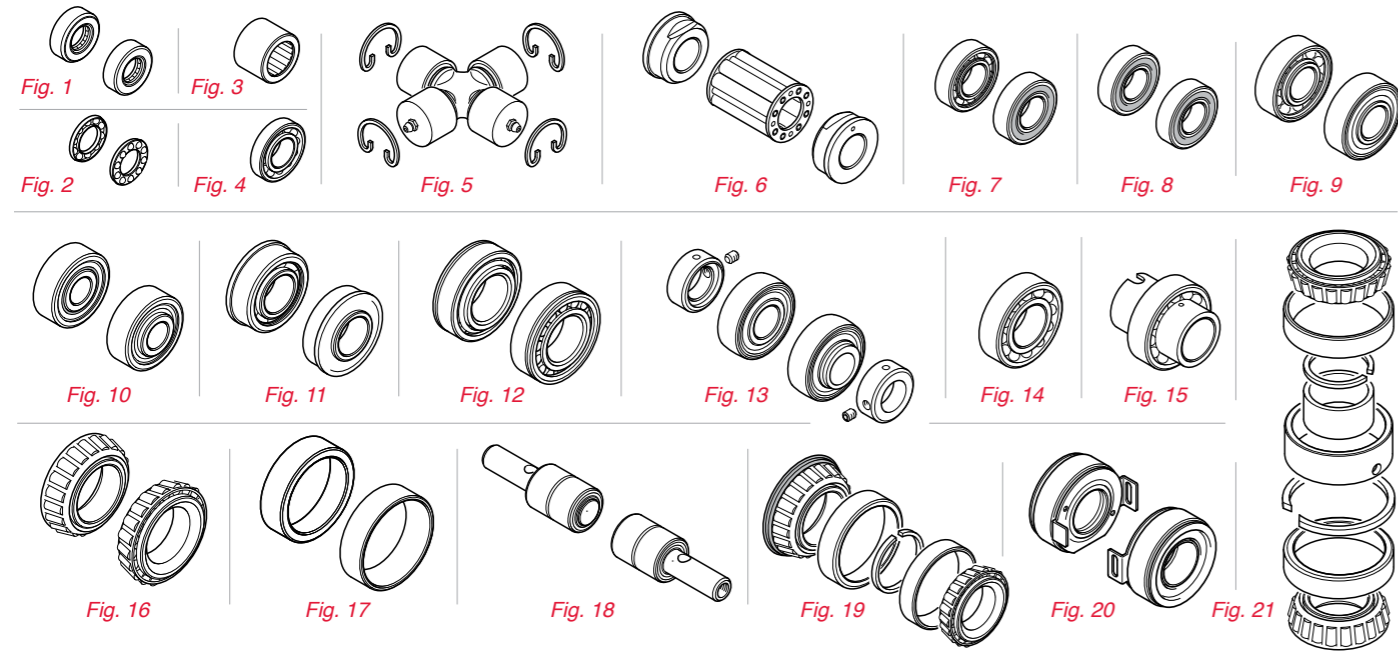
10/17/2024

Equipment	Description	Tread	Application	Part No.
Greensmaster Walkers				
Transport Wheel Kit	Tire (12 x 3.25 - 6) 4-Ply	Block	-	65-7940
Transpro 80/100 Trailer	Tire (20 x 10 - 8) 4-Ply	Turf Mate	-	99-4506
Greensmaster Riders				
Greensmaster 3/300	Tire (18 x 9.5 - 8) 2-Ply	Smooth	Front & Rear	28-3680
Greensmaster 3000	Tire (18 x 9.5 - 8) 2-Ply	Smooth	Front & Rear	28-3680
	Tire (18 x 8.5 - 8) 4-Ply	Turf Traction	Front & Rear	119-3516
Greensmaster 3000D	Tire (18 x 9.5 - 8) 2-Ply	Smooth	Front & Rear	28-3680
	Tire (18 x 8.5 - 8) 4-Ply	Turf Traction	Front & Rear	119-3516
	Tire (19 x 10.5 - 8) 2-Ply	Traction	Front & Rear	70-8500
Greensmaster 3050/3100/3150/3200	Tire (18 x 9.5 - 8) 2-Ply	Smooth	Front & Rear	28-3680
	Tire (18 x 8.5 - 8) 4-Ply	Turf Traction	Front & Rear	119-3516
Greensmaster 3200D	Tire (18 x 9.5 - 8) 2-Ply	Smooth	Front & Rear	28-3680
Greensmaster 3250D	Tire (19 x 10.5 - 8) 2-Ply	Smooth	Front & Rear	70-8500
	Tire (20 x 10 - 8) 4-Ply	Turf Mate	Front & Rear	99-4506
Greensmaster 3300/3400	Tire (19 x 10.5-8) 4-Ply	Smooth	Front & Rear	120-2783
Reelmaster				
Reelmaster 3100D	Tire (20 x 12 - 10) 4-Ply	Turf Trac R/S	Front	117-5125
	Tire (20 x 10 - 10) 4-Ply	Turf Trac R/S	Front & Rear	115-1572
Reelmaster 3100D (2010 - Current)	Tire (20 x 12 - 10) 4-Ply	Turf Traction	Front	117-5125
	Tire (20 x 10 - 10) 4-Ply	Turf Traction	Rear	115-1572
Reelmaster 5100D/5300D	Tire (26 x 12 - 12) 4-Ply	Turf Traction	Front	231-134
Reelmaster 5200D/5400D	Tire (26 x 12 - 12) 4-Ply	Turf Traction	Front	231-134
	Tire (26.5 x 14 - 12) 2-Ply	Ultra Trac	Front	117-5196
	Tire (20 x 10 - 10) 6-Ply	Turf Traction	Rear	86-5910
Reelmaster 5500D	Tire (26.5 x 14 - 12) 2-Ply	Ultra Trac	Front	117-5196
	Tire (20 x 10 - 10) 6-Ply	Turf Traction	Rear	86-5910
Reelmaster 5210	Tire (24 x 13 - 12) 6-Ply (2006-Mid 2008)	Ultra Trac	Front	131-8433
	Tire (24 x 13 - 12) 4-Ply (Mid 2008 & on)	Ultra Trac	Front	95-2638
	Tire (20 x 10 - 10) 6-Ply (2006)	Turf Traction	Rear	86-5910
	Tire (20 x 10 - 10) 4-Ply (2007 & on)	Turf Trac R/S	Rear	115-1572
Reelmaster 5010-H/5410/5510/5610	Tire (26.5 x 14 - 12) 2-Ply	Ultra Trac	Front	117-5196
	Tire (20 x 12 - 10) 4-Ply	Turf Trac R/S	Rear	117-5125
	Tire (20 x 12 - 10) 4-Ply	Smooth	Rear	127-2796
	Tire (26.5 x 14 - 12) 4-Ply	Smooth	Front	133-2940
Reelmaster 6500D/6700D	Tire (29 x 14 - 15) 6-Ply	Ultra Trac	Front	95-3465
	Tire (20 x 10 - 10) 6-Ply	Turf Traction	Rear	86-5910

Equipment	Description	Tread	Application	Part No.
Reelmaster 450D/4500D	Tire (31 x 13.5 - 15) 4-Ply	Turf Traction	Front	63-4480
	Tire (23 x 10.5 - 12) 6-Ply	Turf Traction	Rear	69-9880
Reelmaster 3500D	Tire (20 x 10 - 10) 6-Ply	Turf Traction	Rear	86-5910
Reelmaster 3550D/3555/3575	Tire (22 x 12 - 12) 4-Ply	Smooth	Front & Rear	120-2114
	Tire (22 x 12 - 12) 4-Ply	Turf Traction	Front & Rear	121-7924
Reelmaster 4000D	Tire (31 x 13.5 - 15) 4-Ply	Turf Traction	Front	63-4480
	Tire (23 x 10.5 - 12) 6-Ply	Turf Traction	Rear	69-9880
Reelmaster 7000D	Tire (20 x 12 - 10) 4-Ply	Turf Traction	Rear	117-5125
	Tire (31 x 13.5 - 15) 4-Ply	Turf Traction	Front	63-4480
Groundsmaster				
Groundsmaster 360	Tire (23 x 10.5 - 12) 6-Ply	Turf Traction	Front & Rear	121-9072
Groundsmaster 3200/3300/e3200	Tire - Turfmaster (16 x 6.5)	Turf Traction	Rear	1-413474
	Tire - Turfmaster (23 x 10.5 - 12)	Turf Traction	Front	137-2581
	Tire (18 x 9.5 - 8)	Turf Traction	Front	137-2596
	Tire (24 x 12 - 12)	Turf Traction	Rear	137-2594
Groundsmaster 3500D/3505D	Tire (20 x 12 - 10) 4-Ply	Turf Trac R/S	Front	117-5125
	Tire (20 x 10 - 10) 4-Ply	Turf Trac R/S	Rear	115-1572
Groundsmaster 3280D	Tire (23 x 9.5 - 12) 4-Ply	Mult Trac C/S	Front	117-0823
	Tire (23 x 10.5 - 12) 4-Ply - Wide Wheel Opt.	Turf Saver	Front	231-95
	Tire (23 x 10.5 - 12) 6-Ply - Wide Wheel Opt.	Turf Traction	Front	69-9880
	Tire (16 x 6.5 - 8) 4-Ply (2WD)	Ribbed	Rear	231-105
	Tire (18 x 6.5 - 8) 4-Ply (4WD)	Turf Traction	Rear	231-122
Groundsmaster 4000D/4100D	Tire (26 x 12 - 12) 6-Ply	Multi Trac C/S	Front	126-8033
	Tire (20 x 10 - 10) 6-Ply	Multi Trac C/S	Rear	94-5236
	Tire (26 x 12 - 12) 6 Ply	Multi Trac C/S	Front	119-8313
	Tire (26 x 12 - 12) 6 Ply	High Traction	Front	136-4442
	Tire (20 x 10 - 10) 6 Ply	High Traction	Rear	136-4440
Groundsmaster 4300D	Tire (26.5 x 14 - 12) 2-Ply	Ultra Trac	Front	117-5196
	Tire (20 x 12 - 10) 4-Ply	Turf Trac R/S	Rear	117-5125
Groundsmaster 4500D/4700D	Tire (29 x 14 - 15) 6-Ply	Ultra Trac	Front	95-3465
	Tire (20 x 12 - 10) 4-Ply	Turf Trac R/S	Rear	117-5125
	Tire (29 x 14 - 15) 6-Ply	Turf	Front	119-0023
Groundsmaster 5900/5910	Tire (29 x 12.5 - 15) 10-Ply	Multi Trac C/S	Front	114-4861
	Tire (23 x 10.5 - 12) 6-Ply	Multi Trac C/S	Rear	131-2382
Groundsmaster 7200/7210	Tire (24 x 12 - 12) 6-Ply	Lug	Rear	103-6771

Equipment	Description	Tread	Application	Part No.
Aerator				
ProCore 648 Aerator	Tire (19 x 10.5 - 8) 2-Ply	Traction	Front	70-8500
	Tire (19 x 10.5 - 8) 2-Ply	Traction	Rear	70-8500
ProCore Processor	Tire (18 x 9.5 - 8) 6-Ply	Turf Traction	-	114-7741
Workman				
Workman MD/MDE	Tire (22 x 9.5 - 10) 4-Ply	Multi Trac C/S	Front & Rear	127-7435
Workman GTX	Tire (20.75 x 8 - 10) 4-Ply	Standard	Front & Rear	131-8318
	Tire (20 x 8 - 10)			139-4475
Workman MDX	Tire (22 x 9.5 - 10) 4-Ply	Multi Trac C/S	Front	127-7435
	Tire (24 x 12 - 10) 4-Ply	Turf Trac R/S	Rear	131-6667
	Tire-Front, K299		Front	136-1126
	Tire-Rear, K299		Rear	136-1127
Workman HD/HDX/HDX-D	Tire (20 x 9 - 12) 6-Ply	Tuff Trac	Front	131-6670
	Tire (24 x 12 - 12) 6-Ply	Multi Trac C/S	Rear	131-6673
	Tire (24 x 13 - 12) 6-Ply	Ultra Trac	Rear	131-8433
	Tire 4-Ply	Saw Tooth	Rear	99-1091
	Tire-Rear		Rear	131-8433
	Tire, A299		Rear	131-8440
	Tire-K299			131-8443
Workman UTX	Tire (25 x 9 - 12) 6-Ply	Terra Trac	Front	137-2689
	Tire (25 x 11 - 12) 6-Ply	Terra Trac	Rear	137-2690
Vista	Tire (205 x 65 - 10) 6-Ply	Turf	Front & Rear	140-9794
Workman Boom Enclosure	Tire (15 x 6 - 6) 2-Ply	Ribbed	-	108-9955
Multi Pro Sprayers				
Multi Pro Sprayer 1750	Tire (20 x 10 - 10) 4-Ply	Smooth	Front	120-7639
	Tire (24 x 13 - 12) 6-Ply	Turf	Rear	131-8433
Multi Pro Sprayer 5800D	Tire (22 x 12 - 12) 4-Ply	Smooth	Front	120-2114
	Tire (26.5 x 14 - 12) 6-Ply	Turf	Rear	133-2724
	Tire (23 x 10.5 - 12) 4-Ply	Turf Trac	Front	119-6021
	Tire (26.5 x 14 - 12) 2-Ply	Turf Trac	Rear	117-5196
Multi Pro Sprayer Boom Enclosure	Tire (15 x 6 - 6) 2-Ply	Ribbed	-	108-9955
Specialty Turf Equipment				
Debris Blower 800	Tire (20 x 10 - 8) 4-Ply	Turf Trac R/S	-	99-7300
Pro Force Debris Blower	Tire (18.2 x 8.5 - 8) 4-Ply	Turf Traction	-	119-3009
Topdresser 2300	Tire (18 x 8.5 - 8) 4-Ply	Ribbed	-	119-6343
Topdresser 2500	Tire (18 x 9.5 - 8) 4-Ply	Multi Ribbed	-	106-9691
GreensPro 1200	Tire (16 x 6.5 - 8) 4-Ply	Turf		111-5755
ProCore 648/648s	Tire (20 x 10 - 10) 2-Ply	Smooth	Front & Rear	70-8500
Outcross 9060	Tire (29.5 x 12.5) 12-Ply	Turf	Front	136-5270
	Tire (32 x 16) 12-ply	Turf	Rear	133-4894

Equipment	Description	Tread	Application	Part No.
Sand Pro*/Infield Pro				
Sand/Infield Pro 3040/5040	Tire (22 x 11 - 8) 2-Ply	Knobby	Front & Rear	85-8290
	Tire (22 x 11 - 8) 4-Ply	Knobby	Front & Rear	147-3671
	Tire (22 x 11 - 8) 2-Ply	Turf Trac R/S	Front & Rear	121-9072
	Tire (22 x 11 - 8) 2-Ply	Smooth	Front & Rear	110-3364
Sand Pro 2040Z	Tire (16 x 7.5 - 8) 4-Ply	Turf Traction	Front	125-6406
	Tire (25 x 12 - 9) 3-Ply	Turf	Rear	125-6465
	Tire (25 x 12 - 9) 2-Ply	Knobby	Rear	147-3668
Field Pro 6040	Tire (24 x 12 - 12) 4-Ply	Turf	Rear	147-6607
	Tire (15 x 6 - 6) 4-Ply	Ribbed	Front	133-4724



Equipment	Application	Fig. No.	Component	Year	Description	Part No.
Greensmaster Walker						
Greensmaster 800/1000/1600/2000/2600	Cutting Unit	14	Reel	All	Ball Bearing Assembly - Dual Row	251-342
		19	Front Roller	All	Bearing & Shaft Assembly	52-3180
		7	Groomer Reel Shaft	All	Ball Bearing Assembly - Outer Seal only	251-327
		7	Groomer Drive Belt Idler	All	Ball Bearing Assembly - Outer Seal only	251-328
		7	Reel Drive Clutch Housing	1993 on	Ball Bearing Assembly - Outer Seal only	251-318
	Traction Unit	8	Reel Drive Clutch	All	Ball Bearing Assembly - Sealed	251-336
		14	Countershaft Support	All	Ball Bearing Assembly - Dual Row	251-338
		8	Idler Pulleys	All	Ball Bearing Assembly - Sealed	38-7820
		14	Drum Drive Shaft	All	Ball Bearing Assembly - Dual Row	251-338
		7	Drum Spindle/Hub	1990-1999	Ball Bearing Assembly - Outer Seal only	251-257
Greensmaster Flex 1800/2100	Cutting Unit	8	Roller	All	Ball Bearing Assembly - Sealed	251-347
		8	Groomer Drive Belt Idler	All	Ball Bearing Assembly - Sealed	251-259
		8	Groomer Drive	All	Bearing - RH Reverse Groomer	106-4237
		8	Reel Drive Shaft	All	Ball Bearing Assembly - Sealed	251-336
eFlex 1800/2100	Traction Unit	13	Drum Drive Shaft	2001-2004	Ball Bearing - Self Aligning w/Collar	104-0538
		13	Drum Drive Shaft	2005 on	Ball Bearing - Self Aligning w/Collar	106-8448
		8	Drum Spindle/Hub	All	Ball Bearing Assembly - Sealed	251-82
		16	Wheel - Inner/Outer Bearing	All	Roller Bearing Assembly - Tapered Cone	254-92
Trans Pro 80/100	Trailer	17	Wheel - Inner/Outer Bearing	All	Bearing Race - Tapered Cup	254-72

Equipment	Application	Fig. No.	Component	Year	Description	Part No.
Greensmaster Riders						
Greensmaster 3300 Style Cutting Units	4-Bolt	18	Front Roller	1974 on	Bearing & Shaft Assembly	21-6410
		19	Rear Roller	1974 on	Bearing & Shaft Assembly	52-3180
	Spiker	18	Front & Rear Rollers	1974 on	Bearing & Shaft Assembly	21-6410
		4 Bolt & SPA	16	Reel	All	Roller Bearing Assembly - Tapered Cone
		17	Reel	All	Bearing Race - Tapered Cup	254-72
		2	Reel Adjustment Knob	1985-1986	Thrust Bearing Cage Assembly	257-6
		19	Front & Rear Rollers	All	Bearing & Shaft Assembly	52-3180
		7	Roller Brush Kit Rear Roller	All	Ball Bearing Assembly - Outer Seal only	85-9970
	Groomer	7	Groomer Reel Drive	All	Ball Bearing Assembly - Outer Seal only	251-327
		7	Groomer Drive Shaft	All	Ball Bearing Assembly - Outer Seal only	251-327
Spiker	19	Front & Rear Rollers	1985-1992	Bearing & Shaft Assembly	52-3180	
Greensmaster 3200 Style Cutting Units	4-Bolt & SPA	14	Reel	1995-00	Ball Bearing Assembly - Dual Row	93-2489
		9	Front Roller	All	Ball Bearing Assembly - Outer Seal only	93-2559
		18	Wiehle Front Roller	All	Bearing & Shaft Assembly	75-1290
		9	Rear Roller	1995-1998	Ball Bearing Assembly - Outer Seal only	93-2559
		7	Rear Roller	1999-2000	Ball Bearing Assembly - Outer Seal only	85-9970
		13	Rear Roller Brush Shaft	All	Ball Bearing - Self Aligning w/Collar	98-5208
		4	Rear Roller Brush Drive Shaft	All	Ball Bearing Assembly - Single Row	98-5215
	Groomer	14	Groomer Reel Drive	All	Ball Bearing Assembly - Single Row	251-336
		8	Groomer Drive Shaft	All	Ball Bearing Assembly - Sealed	95-0707
		7	Groomer Drive Belt Idler	All	Ball Bearing Assembly - Outer Seal only	38-7820
Dethatcher	7	Front Roller	1997 on	Ball Bearing Assembly - Outer Seal only	85-9970	
Spiker	9	Rear Roller	All	Ball Bearing Assembly - Outer Seal only	93-2559	
Tri-Roller	9	Rear Roller	All	Ball Bearing Assembly - Outer Seal only	93-2559	
Greensmaster 3050 Style Cutting Units	4-Bolt & SPA	14	Reel	2001	Ball Bearing Assembly - Dual Row	93-2489
		14	Reel	2002-2003	Ball Bearing Assembly - Dual Row	105-3827
		19	Front Roller	All	Bearing & Shaft Assembly	52-3180
		7	Rear Roller	All	Ball Bearing Assembly - Outer Seal only	85-9970
		13	Rear Roller Brush Shaft	All	Ball Bearing - Self Aligning w/Collar	98-5208
		4	Rear Roller Brush Drive Shaft	All	Ball Bearing Assembly - Single Row	98-5215
	Groomer	14	Groomer Reel	All	Ball Bearing Assembly - Single Row	95-0707
		8	Groomer Drive Shaft	All	Ball Bearing Assembly - Sealed	251-336
		7	Groomer Drive Belt Idler	All	Ball Bearing Assembly - Outer Seal only	38-7820
	Spiker	9	Rear Roller	All	Ball Bearing Assembly - Outer Seal only	93-2559
Tri-Roller	9	Rear Roller	All	Ball Bearing Assembly - Outer Seal only	93-2559	
Greensmaster DPA Cutting Units	DPA	14	Reel	2003-2006	Ball Bearing Assembly - Dual Row	93-2489
		8	Roller	All	Ball Bearing Assembly - Sealed	251-347
		13	Rear Roller Brush Shaft	All	Ball Bearing - Self Aligning w/Collar	132-6979
		8	Roller Brush Drive Belt Idler	All	Ball Bearing Assembly - Sealed	251-259
		8	Groomer Drive Belt Idler	All	Ball Bearing Assembly - Sealed	251-259

Equipment	Application	Fig. No.	Component	Year	Description	Part No.
Greensmaster Riders Continued						
Greensmaster 3050	Traction Unit	9	Pull Frame Roller	All	Ball Bearing Assembly - Outer Seal only	133-2378
		16	Rear Wheel	All	Roller Bearing Assembly - Tapered Cone	254-78
		17	Rear Wheel	All	Bearing Race - Tapered Cup	254-79
Greensmaster 3100D	Traction Unit	9	Pull Frame Roller	All	Ball Bearing Assembly - Outer Seal only	133-2378
		16	2WD Rear Wheel	All	Roller Bearing Assembly - Tapered Cone	254-78
		17	2WD Rear Wheel	All	Bearing Race - Tapered Cup	254-79
Greensmaster 3150	Traction Unit	9	Pull Frame Roller	All	Ball Bearing Assembly - Outer Seal only	133-2378
		8	Neutral Centering Device	All	Ball Bearing Assembly - Sealed	251-259
		8	Traction Function Lever	All	Ball Bearing Assembly - Sealed	251-259
		16	Rear Wheel	All	Roller Bearing Assembly - Tapered Cone	254-78
		17	Rear Wheel	All	Bearing Race - Tapered Cup	254-79
Greensmaster 3200/3200D	Traction Unit	8	Neutral Arm	All	Ball Bearing Assembly - Sealed	251-259
		8	Traction Function Lever	All	Ball Bearing Assembly - Sealed	251-259
		16	Rear Wheel	All	Roller Bearing Assembly - Tapered Cone	254-78
		17	Rear Wheel	All	Bearing Race - Tapered Cup	254-79
Greensmaster 3250D	Traction Unit	8	Neutral Centering Device	All	Ball Bearing Assembly - Sealed	251-259
		8	Traction Function Lever	All	Ball Bearing Assembly - Sealed	251-259
		16	Rear Wheel	All	Roller Bearing Assembly - Tapered Cone	254-78
		17	Rear Wheel	All	Bearing Race - Tapered Cup	254-79
Greensmaster 3300/3320/3400/3420	Cutting Unit	8	Rear Rollers	All	Ball Bearing Assembly - Sealed	251-347
			Groomer Drive	All	Bearing - RH Reverse Groomer	106-4237
	Traction Unit	8	Neutral Centering Device	All	Ball Bearing Assembly - Sealed	251-259
17		Rear Wheel	All	Bearing Race - Tapered Cup	254-72	
Reelmaster						
Reelmaster 2000D	Cutting Units	13	Reel	All	Ball Bearing Assembly - Self Aligning	100-4926
		17	Front & Rear Rollers	All	Bearing Race - Tapered Cup	254-79
		16	Front & Rear Rollers	All	Roller Bearing Assembly - Tapered Cone	254-78
		8	27" Verticut - Roller	All	Ball Bearing Assembly - Sealed	251-347
	Traction Unit	8	Neutral Centering Device	All	Ball Bearing Assembly - Sealed	251-259
		16	Rear Wheel - Inner/Outer	All	Roller Bearing Assembly - Tapered Cone	254-94
		17	Rear Wheel - Inner/Outer	All	Bearing Race - Tapered Cup	254-72
		Reelmaster 2300D/2600D	Cutting Units	13	Reel	All
2	Reel Adjust			All	Thrust Bearing Cage Assembly	257-6
16	Front & Rear Rollers			All	Roller Bearing Assembly - Tapered Cone	254-78
Traction Unit	17		Front & Rear Rollers	All	Bearing Race - Tapered Cup	254-79
	8		Neutral Centering Device	All	Ball Bearing Assembly - Sealed	251-259
11	2WD Rear Wheel	All	Ball Bearing Assembly - Flanged	251-321		
Reelmaster 3100D	Cutting Units	13	Reel	All	Ball Bearing Assembly - Self Aligning	100-4926
		17	Front & Rear Rollers	All	Bearing Race - Tapered Cup	254-79
		16	Front & Rear Rollers	All	Roller Bearing Assembly - Tapered Cone	254-78
		8	27" Verticut - Roller	All	Ball Bearing Assembly - Sealed	251-347
	Traction Unit	8	Neutral Centering Device	All	Ball Bearing Assembly - Sealed	251-259
		8	Traction Pedal	All	Ball Bearing Assembly - Sealed	251-259

Greensmaster cutting units can be attached to a variety of Greensmaster traction units. Use the Greensmaster Cutting Unit Reference Chart to help recognize cutting units by name.

Equipment	Application	Fig. No.	Component	Year	Description	Part No.
Reelmaster 223D/5100D/5300D	Cutting Unit	16	Reel	All	Roller Bearing Assembly - Tapered Cone	254-94
		17	Reel	All	Bearing Race - Tapered Cup	254-72
		18	Front Roller	All	Bearing & Shaft Assembly	75-1290
		19	Rear Roller	1990-1991	Bearing & Shaft Assembly	52-3180
		7	Rear Roller	All	Ball Bearing Assembly - Outer Seal only	85-9970
		13	Rear Roller Brush Shaft	All	Ball Bearing - Self Aligning w/Collar	98-5208
	Traction Unit	8	Rear Roller Brush Drive Shaft	All	Ball Bearing Assembly - Sealed	251-336
		8	Roller Brush Drive Belt Idler	All	Ball Bearing Assembly - Sealed	251-259
		18	Dethatcher - Rollers	All	Bearing & Shaft Assembly	75-1290
		8	Compensating Carrier Frame	All	Ball Bearing Assembly - Sealed	251-259
		8	Neutral Centering Device	All	Ball Bearing Assembly - Sealed	251-259
		7	Cooling Fan Shaft	All	Ball Bearing Assembly - Outer Seal only	251-318
		12	Front Axle - Outer Bearing	All	Roller Bearing Assembly	21-8180
Reelmaster 5200D/5400D	Cutting Unit	16	Reel	All	Roller Bearing Assembly - Tapered Cone	254-94
		17	Reel	All	Bearing Race - Tapered Cup	254-72
		18	Front & Rear Roller	1998-2001	Bearing & Shaft Assembly	75-1290
		7	Front & Rear Roller	2001-2006	Ball Bearing Assembly - Outer Seal only	109966
		13	Roller Brush Shaft	All	Ball Bearing - Self Aligning w/Collar	132-6979
		4	Roller Brush Drive Shaft	All	Ball Bearing Assembly - Single Row	98-5215
	Traction Unit	8	Roller Brush Drive Belt Idler	All	Ball Bearing Assembly - Sealed	251-259
		18	Dethatcher - Rollers	All	Bearing & Shaft Assembly	75-1290
		8	Compensating Carrier Frame	All	Ball Bearing Assembly - Sealed	251-259
		8	Neutral Centering Device	All	Ball Bearing Assembly - Sealed	251-259
		7	Cooling Fan Shaft	All	Ball Bearing Assembly - Outer Seal only	251-318
		12	Front Axle - Outer Bearing	All	Roller Bearing Assembly	21-8180
		16	2WD Rear Wheel - In/Out	All	Roller Bearing Assembly - Tapered Cone	254-94
Reelmaster 5010-H/5210/5410/5510/5610	Cutting Unit	17	2WD Rear Wheel - In/Out	All	Bearing Race - Tapered Cup	254-72
		8	4WD Rear Axle Knuckle	1998-1999	Ball Bearing Assembly - Sealed	251-347
		14	Reel	All	Ball Bearing Assembly - Dual Row	93-2489
		7	Front & Rear Roller	2006-2007	Ball Bearing Assembly - Outer Seal only	109966
		7	Front & Rear Roller	2008 on	Ball Bearing Assembly - Outer Seal only	112-5290
		9	Roller Brush Drive Shaft	All	Ball Bearing Assembly - Outer Seal only	93-2559
	Traction Unit	14	Roller Brush Shaft	All	Ball Bearing Assembly - Single Row	95-0707
		9	Groomer Drive Shaft	All	Ball Bearing Assembly - Outer Seal only	93-2559
		14	Groomer Reel	All	Ball Bearing Assembly - Single Row	95-0707
		16	2WD Rear Wheel - In/Out	All	Roller Bearing Assembly - Tapered Cone	254-94
		17	2WD Rear Wheel - In/Out	All	Bearing Race - Tapered Cup	254-72
		7	Pedal Assembly	All	Bearing - Mount, Flange	256-236

*Prices subject to change without notice. Please see your Parts Catalog or Master Parts Viewer to ensure the correct part is ordered, as the part you need may not be listed. toro.com/parts

Equipment	Application	Fig. No.	Component	Year	Description	Part No.		
Reelmaster Continued								
Reelmaster 5500D	Cutting Units	14	Reel	All	Ball Bearing Assembly - Dual Row	93-2489		
		7	Roller	All	Ball Bearing Assembly - Outer Seal only	109966		
		13	Roller Brush Shaft	All	Ball Bearing - Self Aligning w/Collar	132-6979		
		4	Roller Brush Drive Shaft	All	Ball Bearing Assembly - Single Row	98-5215		
		8	Roller Brush Drive Belt Idler	All	Ball Bearing Assembly - Sealed	251-259		
		14	Groomer Reel	All	Ball Bearing Assembly - Single Row	95-0707		
		8	Dethatcher - Roller	All	Ball Bearing Assembly - Sealed	251-347		
		8	Neutral Centering Device	All	Ball Bearing Assembly - Sealed	251-259		
	Traction Unit	7	Cooling Fan Shaft	All	Ball Bearing Assembly - Outer Seal only	251-318		
		12	Front Axle - Outer Bearing	All	Roller Bearing Assembly	21-8180		
		16	2WD Rear Wheel - In/Out	All	Roller Bearing Assembly - Tapered Cone	254-94		
		17	2WD Rear Wheel - In/Out	All	Bearing Race - Tapered Cup	254-72		
		Reelmaster 6500D/6700D	SPA Cutting Units	14	Reel	All	Ball Bearing Assembly - Dual Row	93-2489
				7	Roller	All	Ball Bearing Assembly - Outer Seal only	109966
				13	Roller Brush Shaft	All	Ball Bearing - Self Aligning w/Collar	132-6979
				4	Roller Brush Drive Shaft	All	Ball Bearing Assembly - Single Row	98-5215
				8	Roller Brush Drive Belt Idler	All	Ball Bearing Assembly - Sealed	251-259
14	Groomer Reel			All	Ball Bearing Assembly - Single Row	95-0707		
8	Dethatcher - Roller			All	Ball Bearing Assembly - Sealed	251-347		
	Rear Roller Bearing			All	Bearing - Rear Roller Brush	106-4237		
DPA Cutting Units	14		Reel	All	Ball Bearing Assembly - Dual Row	93-2489		
	7		Front & Rear Roller	2007	Ball Bearing Assembly - Outer Seal only	109966		
	7		Front & Rear Roller	2008 on	Ball Bearing Assembly - Outer Seal only	112-5290		
	9		Roller Brush Drive Shaft	All	Ball Bearing Assembly - Outer Seal only	93-2559		
	14		Roller Brush Shaft	All	Ball Bearing Assembly - Single Row	95-0707		
	9		Groomer Drive Shaft	All	Ball Bearing Assembly - Outer Seal only	93-2559		
Traction Unit	14	Groomer Reel	All	Ball Bearing Assembly - Single Row	95-0707			
		Rear Roller Brush	All	Bearing - Rear Roller Brush	106-4237			
	16	2WD Rear Wheel - Inner	All	Roller Bearing Assembly - Tapered Cone	254-106			
	17	2WD Rear Wheel - Inner	All	Bearing Race - Tapered Cup	254-107			
	16	2WD Rear Wheel - Outer	All	Roller Bearing Assembly - Tapered Cone	254-92			
	17	2WD Rear Wheel - Outer	All	Bearing Race - Tapered Cup	254-72			
	Reelmaster 3500D	Cutting Unit	15	Reel	All	Ball Bearing Assembly - Dual Row Ext. Race	59-6140	
16			Front & Rear Rollers	All	Roller Bearing Assembly - Tapered Cone	254-78		
17			Front & Rear Rollers	All	Bearing Race - Tapered Cup	254-79		
15			Dethatcher - Reel	All	Ball Bearing Assembly - Dual Row Ext. Race	59-6140		
8			Neutral Centering Device	All	Ball Bearing Assembly - Sealed	251-259		
Traction Unit		16	2WD Rear Wheel - Inner	All	Roller Bearing Assembly - Tapered Cone	254-106		
		17	2WD Rear Wheel - Inner	All	Bearing Race - Tapered Cup	254-107		
		16	2WD Rear Wheel - Outer	All	Roller Bearing Assembly - Tapered Cone	254-92		
		17	2WD Rear Wheel - Outer	All	Bearing Race - Tapered Cup	254-72		
		15	Reel	All	Ball Bearing Assembly - Dual Row Ext. Race	59-6140		
		16	Front & Rear Rollers	All	Roller Bearing Assembly - Tapered Cone	254-78		
		17	Front & Rear Rollers	All	Bearing Race - Tapered Cup	254-79		
		15	Dethatcher - Reel	All	Ball Bearing Assembly - Dual Row Ext. Race	59-6140		

Equipment	Application	Fig. No.	Component	Year	Description	Part No.	
Reelmaster 3550D	Cutting Unit	8	Front & Rear Roller	3013	Bearing-Sealed	140-5510	
		7	Front & Rear Roller	3013	Bearing - Stainless Steel	112-5290	
	Traction Unit	8	Traction Control ASM	2013	Ball Bearing	251-259	
			Hydraulic Pump ASM	2013	Bearing-Cup	104-4046	
			Hydraulic Pump ASM	2013	Bearing-Cone	98-4639	
			Hydraulic Pump ASM	2013	Bearing-Thrust	252-66	
Reelmaster 4000D	Cutting Unit	15	Reel	All	Ball Bearing Assembly - Dual Row Ext. Race	59-6140	
		16	Front & Rear Rollers	All	Roller Bearing Assembly - Tapered Cone	254-78	
Reelmaster 4500D	Cutting Unit	17	Front & Rear Rollers	All	Bearing Race - Tapered Cup	254-79	
		15	Dethatcher - Reel	All	Ball Bearing Assembly - Dual Row Ext. Race	59-6140	
	Traction Unit	16	2WD Rear Wheel - Inner	All	Roller Bearing Assembly - Tapered Cone	254-106	
		17	2WD Rear Wheel - Inner	All	Bearing Race - Tapered Cup	254-107	
		16	2WD Rear Wheel - Outer	All	Roller Bearing Assembly - Tapered Cone	254-92	
		17	2WD Rear Wheel - Outer	All	Bearing Race - Tapered Cup	254-72	
		Reelmaster 7000D	Cutting Unit	14	Reel	All	Ball Bearing Assembly - Dual Row
7	Rear Roller			All	Ball Bearing Assembly - Outer Seal only	112-5290	
Traction Unit	16		Wheel	All	Roller Bearing Assembly - Tapered Cone	254-62	
	17		Wheel	All	Bearing Race - Tapered Cup	115-9471	
	Cutting Unit		16	Reel	All	Roller Bearing Assembly - Tapered Cone	254-94
			17	Reel	All	Bearing Race - Tapered Cup	254-72
	2	Reel Adjustment Knob	All	Thrust Bearing Cage Assembly	257-6		
	16	Drive Wheel Gear Hub	All	Roller Bearing Assembly - Tapered Cone	254-78		
	17	Drive Wheel Gear Hub	All	Bearing Race - Tapered Cup	254-79		
	3	Idler Pinion Gear	All	Needle Bearing Assembly	252-6		
	16	Rear Roller	All	Roller Bearing Assembly - Tapered Cone	254-78		
	17	Rear Roller	All	Bearing Race - Tapered Cup	254-79		
Groundsmaster							
Groundsmaster 360	Traction Unit	17	2WD Wheel Motor & Spindle Assembly	All	Bearing Race - Tapered Cup	254-72	
		16	2WD Wheel Motor & Spindle Assembly	All	Roller Bearing Assembly - Tapered Cone	254-92	
Groundsmaster 1200			Bearing - Flange, 2 Bolt	All	Bearing - Flange, 2 Bolt	140-7039	
Groundsmaster 3280D/3320	52" SD Deck	6	Front Caster Wheel	All	Roller Bearing Cage Assembly	62-5570	
		6	Front Caster Wheel	All	Bearing - Flange	62-5580	
	60"/62"/72"	10	Front Caster Wheel	All	Ball Bearing Assembly - Sealed	120-5378	
		Traction Unit	8	Neutral Centering Device	All	Ball Bearing Assembly - Sealed	251-259
			12	Front Axle - Outer Bearing	All	Roller Bearing Assembly	21-8180
			16	2WD Rear Wheel - In/Out	All	Roller Bearing Assembly - Tapered Cone	254-94
		17	2WD Rear Wheel - In/Out	All	Bearing Race - Tapered Cup	254-72	
Groundsmaster 4000D/4100D	132"/124 RD	10	Front Caster Wheel	All	Ball Bearing Assembly - Sealed	120-5378	
			Impact Arm	2010 on	Bearing - Plastic	105-4552	
	Debris Blower	10	Front Caster Wheel	All	Ball Bearing Assembly - Sealed	120-5378	
	Rotary Broom	10	Front Caster Wheel	All	Ball Bearing Assembly - Sealed	120-5378	

Equipment	Application	Fig. No.	Component	Year	Description	Part No.
Groundsmaster Continued						
Groundsmaster 3500D/3505D	27" RD Deck	10	Front Rollers	All	Ball Bearing Assembly - Sealed	120-3366
		8	Rear Roller	2000-2003	Ball Bearing Assembly - Sealed	251-347
		7	Rear Roller	2004-2006	Ball Bearing Assembly - Outer Seal only	109966
	Traction Unit	7	Rear Roller	2007 on	Ball Bearing Assembly - Outer Seal only	112-5290
		8	Neutral Centering Device	All	Ball Bearing Assembly - Sealed	251-259
		16	2WD Rear Wheel - In/Out	All	Roller Bearing Assembly - Tapered Cone	254-94
		17	2WD Rear Wheel - In/Out	All	Bearing Race - Tapered Cup	254-72
Groundsmaster 4500D/4700D	27" RD Deck	10	Front Rollers	All	Ball Bearing Assembly - Sealed	120-3366
		8	Rear Roller	2000-2003	Ball Bearing Assembly - Sealed	251-347
		7	Rear Roller	2004-2006	Ball Bearing Assembly - Outer Seal only	109966
		7	Rear Roller	2007 on	Ball Bearing Assembly - Outer Seal only	112-5290
		Groundsmaster 5900/5910	Traction Unit		Piston Pump Assembly	2013 & on
	Center Front Deck			All	Bearing - Spherical	105-7441
	Double Driven Spindle			All	Bearing Assembly	110-8297
	High Driven Spindle			All	Bearing Assembly	110-8297
	Driving Spindle			All	Bearing Assembly	110-8297
	Driving Spindle Assembly			2016 & on	Bearing Spacer Set	108-1954
	10" Wheel Assembly			2011 & on	Bearing - 10" Wheel	120-3366
	LH Deck Connection			2008 & on	Cross & Bearing Kit	104-4299
Groundsmaster 7200/7210	62"/72" Deck	16	Front Caster Wheel Fork	All	Roller Bearing Assembly - Tapered Cone	254-106
		17	Front Caster Wheel Fork	All	Bearing Race - Tapered Cup	254-107
Aerator						
ProCore 660/880	Aerator	8	Flywheel Shaft	All	Ball Bearing Assembly - Sealed	100-5396
		8	Stomper Arm	All	Ball Bearing Assembly - Sealed	100-5386
		10	Bottom Link Arm	All	Ball Bearing Assembly - Sealed	100-7621
ProCore 648/648s	Aerator	8	Neutral Centering Device	All	Ball Bearing Assembly - Sealed	251-259
		8	Crank Arm	All	Ball Bearing Assembly - Sealed	105-0965
		8	Stomper Arm	All	Ball Bearing Assembly - Sealed	106-8871
ProCore 864/1298	Aerator	8	Crank Arm Housing	All	Ball Bearing Assembly - Sealed	110-4555
		8	Stomper Arm	All	Ball Bearing Assembly - Sealed	110-4556
		5	Drive Shaft (Shielded)	All	Cross & Bearing Assembly	110-4635
		5	Drive Shaft	All	Cross & Bearing Assembly	110-4641
		8	Drive Pulley Support	All	Ball Bearing Assembly - Sealed	106-8871
ProCore Processor	Aerator	16	Wheel - Inner	All	Roller Bearing Assembly - Tapered Cone	254-106
		17	Wheel - Inner	All	Bearing Race - Tapered Cup	254-107
		16	Wheel - Outer	All	Roller Bearing Assembly - Tapered Cone	254-92
		17	Wheel - Outer	All	Bearing Race - Tapered Cup	254-72

Equipment	Application	Fig. No.	Component	Year	Description	Part No.
Workman						
Workman MDE	Vehicle	8	Steering Gearbox	All	Ball Bearing Assembly - Sealed	251-82
		8	Steering Gearbox	All	Ball Bearing Assembly - Sealed	38-7820
		16	2WD Front Wheel - Inner	All	Roller Bearing Assembly - Tapered Cone	254-106
		17	2WD Front Wheel - Inner	All	Bearing Race - Tapered Cup	254-107
		16	2WD Front Wheel - Outer	All	Roller Bearing Assembly - Tapered Cone	254-94
		17	2WD Front Wheel - Outer	All	Bearing Race - Tapered Cup	254-72
		Workman MD/MDX	Vehicle	8	Steering Gearbox	All
8	Steering Gearbox			All	Ball Bearing Assembly - Sealed	38-7820
8	Shift Lever Detent			All	Ball Bearing Assembly - Sealed	251-259
16	2WD Front Wheel - Inner			All	Roller Bearing Assembly - Tapered Cone	254-106
17	2WD Front Wheel - Inner			All	Bearing Race - Tapered Cup	254-107
16	2WD Front Wheel - Outer			All	Roller Bearing Assembly - Tapered Cone	254-94
17	2WD Front Wheel - Outer			All	Bearing Race - Tapered Cup	254-72
Workman HD/HDX/HDX-D/HDX Auto	Vehicle	5	Rear Axle Shafts	All	Cross & Bearing Assembly	92-4187
		20	Clutch Release	All	Thrust Bearing w/Brackets	110-2538
		4	Transaxle Main Shaft	All	Ball Bearing Assembly - Single Row	251-8
			Gearshaft Assembly	All	Bearing - Ball	251-346
Workman GTX	Vehicle	16	Front Frame & Suspension	All	Bearing - Cone, Tapered	254-94
		17	Front Frame & Suspension	All	Bearing - Cup, Tapered	254-72
		8	Pedal & Control	All	Bearing - Ball	251-259
Workman UTX Gas/Diesel	Steering	14	Wheel Bearing	All	Front Bearings	133-7272
	Steering	14	Wheel Bearing	All	Rear Bearings	133-7272
Multi Pro Sprayers						
Multi Pro Sprayer 1750	Traction Unit	16	Gearbox Output Shaft	All	Roller Bearing Assembly - Tapered Cone	254-94
		17	Gearbox Output Shaft	All	Bearing Race - Tapered Cup	254-72
		19	Rear Axle Housings	All	Bearing & Retainer Set	87-1970
		5	Rear Axle Shafts	All	Cross & Bearing Assembly	92-4187
		16	2WD Front Wheel - In/Out	All	Roller Bearing Assembly - Tapered Cone	254-92
		17	2WD Front Wheel - In/Out	All	Bearing Race - Tapered Cup	254-72
			Gearshaft Assembly	All	Bearing - Ball	251-346
Multi Pro Sprayer 5800D	Traction Unit	8	Front Wheel	All	Bearing - Spindle Assembly	93-6587
		17	Front Wheel	All	Bearing - Spindle Assembly Cup	115-9471
		16	Front Wheel	All	Bearing - Spindle Assembly Cone	254-62
Specialty Turf Equipment						
ProStripe 560		8	Lower ASM	All	Bearing - Lower ASM	111-1276
		8	Lower ASM	All	Roller Bearing - Lower ASM	111-1492
ProCore® Core Processor	Aerator	16	Wheel - Inner	All	Roller Bearing Assembly - Tapered Cone	254-106
		17	Wheel - Inner	All	Bearing Race - Tapered Cup	254-107
		16	Wheel - Outer	All	Roller Bearing Assembly - Tapered Cone	254-92
		17	Wheel - Outer	All	Bearing Race - Tapered Cup	254-72
Vista	Steering	16	Wheel Bearing	All	Bearing - Cone, Tapered	254-94

QUICK REFERENCE GUIDE

BELTS*

Equipment	Description	Application	Part No.
Greensmaster Riders			
Greensmaster 1000	Belt	Reel Drive	65-6200
	Belt	Transport Wheel Drive	65-6210
	Belt	Drum Drive	65-9080
	Belt	Groomer Drive	65-9700
	V-Belt (Set of 2)	Countershaft Drive (1990-95 - 04050 & 04051)	65-7270
	V-Belt (Set of 2)	Countershaft Drive (1995 & on - 04052)	92-9218
Greensmaster 1600/2600	Belt	Reel Drive	65-6200
	Belt	Transport Wheel Drive	65-6210
	Belt	Drum Drive	65-9080
	Belt	Groomer Drive	65-9700
	V-Belt (Set of 2)	Countershaft Drive	92-9218
Greensmaster 3000D	V-Belt	Alternator/Water Pump Drive (1989-1996)	67-4410
Greensmaster Cutting Units	Multi-Row V-Belt	Groomer Drive (3050 & 3200 Style Cutting Units)	95-0728
	Belt	Groomer Drive (3/300/3000 Style Cutting Units)	65-9700
	Belt	Groomer Drive (DPA Cutting Units)	120-2763
	V-Belt	Right Hand Roller Brush Assembly	105-5720
Greensmaster 3300/3320/3400 3420	V-Belt	Alternator/Engine ASM	119-4486
	V-Belt	Generator & Engine Frame ASM	117-4464
Reelmaster			
Reelmaster 3100D	Multi-Row V-Belt	Pump Drive	95-8730
	V-Belt	Alternator Drive	130-1241
	Belt	Reel Drive	47-7160
Reelmaster 3500D/3550D/3555D/3575D	Belt	Dethatcher Reel Drive	47-7160
	Belt	Timing Belt	74-8830
	V-Belt	Alternator & Pulley System	104-3494
	3V-Belt	Piston Pump & Gear ASM	99-3619
Reelmaster 4000D	Belt	Reel Drive	47-7160
	Belt	Dethatcher Reel Drive	47-7160
	V-Belt	Alternator Drive	98-7705
Reelmaster 4500D	Belt	Reel Drive	47-7160
	Belt	Dethatcher Reel Drive	47-7160
Reelmaster 5100D/5300D	V-Belt	Alternator/Water Pump Drive	67-4410
Reelmaster 5200D/5400D	V-Belt	Alternator Drive	98-9676
	Belt	Rear Roller Brush Drive	108-6709

Equipment	Description	Application	Part No.
Reelmaster 5500D	V-Belt	Cooling Fan Drive	98-3921
	V-Belt	Alternator Drive	98-9676
	Belt	Rear Roller Brush Drive	108-6713
	Belt	Groomer Drive	108-0617
Reelmaster 5210/5410	V-Belt	Alternator Drive	98-9676
	Belt	Rear Roller Brush Drive	110-1746
	Belt	Groomer Drive	108-4497
Reelmaster 5510/5610	V-Belt	Alternator Drive	98-9676
	Belt	Rear Roller Brush Drive	110-1747
	Belt	Groomer Drive	110-1716
Reelmaster 6500D/6700D	Multi-Row V-Belt	Alternator Drive - Peugeot	94-3256
	V-Belt	Alternator Drive - Kubota	98-9676
	Belt	Rear Roller Brush Drive	108-6713
	Belt	Timing Belt (1995-2001 serial Up to 210999999)	74-8830
	Belt	Rear Roller Brush Drive (SPA Cutting Units)	108-6713
	Belt	Groomer Drive (SPA Cutting Units)	108-0617
	Belt	Rear Roller Brush Drive (DPA Cutting Units)	110-1747
	Belt	Groomer Drive (DPA Cutting Units)	110-1716
	Belt	Alternator/Pulley ASM	120-5824
Groundsmaster			
Groundsmaster 1200	V-Belt	Groundsmaster 1200 Deck	137-3644
	V-Belt	Groundsmaster 1200 Deck	137-3645
Groundsmaster 3280D	Multi-Row V-Belt	PTO Drive	63-6240
	V-Belt	Alternator/Water Pump Drive	104-3494
Groundsmaster 3310	V-Belt	Air Conditioning Assembly	106-4498
Groundsmaster 3320	Multi-Row V-Belt	PTO Drive	63-6240
	V-Belt	Alternator/Water Pump Drive	99-9156
Groundsmaster 360	V-Belt	Engine Component Assembly	115-0123
	V-Belt	Air Conditioning Assembly	117-3399
	V-Belt	72" Guardian Deck Right Spindle Drive	110-9592
	V-Belt	72" Guardian Deck Left Spindle Drive	110-9593
	V-Belt	72" SD Deck Left Spindle Drive	110-9591
	V-Belt	72" SD Deck Right Spindle Drive	110-9590

QUICK REFERENCE GUIDE

BELTS*

Equipment	Description	Application	Part No.	
Groundsmaster 3500D/3505D	V-Belt	Alternator Drive	98-9676	
	Multi-Row V-Belt	Hydrostat Drive	99-3619	
Groundsmaster 4000D	V-Belt	Spindle Drive	55-7660	
	V-Belt	Alternator Drive	98-7705	
Groundsmaster 4100D	V-Belt	Alternator Drive	98-7705	
Groundsmaster 4300D	V-Belt	Fan / Alternator	98-9676	
Groundsmaster 4500D/4700D	V-Belt	Alternator Drive	98-7705	
Groundsmaster 5900/5910	V-Belt	Center Deck - Spindle Drive	112-7376	
	V-Belt	Center & Wing Deck Spindle Drive	112-7377	
Groundsmaster 7200/7210	V-Belt	Alternator Drive	98-9676	
	V-Belt	62" Guardian Deck Left Spindle Drive	110-9595	
	V-Belt	62" Guardian Deck Right Spindle Drive	110-9594	
	V-Belt	72" Guardian Deck Left Spindle Drive	110-9593	
	V-Belt	72" Guardian Deck Right Spindle Drive	110-9592	
	V-Belt	72" SD Deck Left Spindle Drive	110-9591	
	Belt Drive	60" SD Deck - Spindle Drive	105-0887	
	V-Belt	60" SD Deck - Spindle Drive	67-6920	
	Aerator			
	ProCore 440	V-Belt	72" SD Deck Right Spindle Drive	110-9590
		Multi-Row V-Belt	Stomper Arm Drive	100-7644
	ProCore 660/880	Multi-Row V-Belt	Tine Drive	100-5392
Multi-Row V-Belt		Stomper Arm Drive	100-5392	
ProCore 648	3V-Belt	Primary Drive Belt	105-0989	
	4 Groove Banded Belt	Secondary Drive Belt	105-0991	
	V-Belt	Hydrostat Pump Assembly	107-7513	
ProCore 648s	3V-Belt	Primary Drive Belt	105-0989	
	Banded V-Belt	Clutch Assembly	140-8882	
	V-Belt	Hydrostat Pump Assembly	107-7513	
ProCore 864/1298	Multi-Row Belt	Secondary Drive Belt	110-4327	

Equipment	Description	Application	Part No.
Workman			
Workman MD	V-Belt	Starter	112-3131
	Multi-Row Belt	Transmission Drive	99-7143
Workman MDX	V-Belt	Starter	112-2911
	Multi-Row Belt	Transmission Drive	112-2912
	V-Belt	Engine, Clutch/ Air Cleaner	136-6296
Workman MDX-D	V-Belt	Starter	112-2511
Workman HD	V-Belt	Hydraulic Pump Drive	87-8370
Workman HDX/HDX-D	V-Belt	Alternator/Water Pump Drive (2009-2013)	117-4922
	V-Belt	Alternator/Water Pump Drive (2013 & on)	110-3796
Workman HDX Auto	Belt-CVT	Belt-Gearbox Assembly	121-9612
Workman UTX Gas	V-Belt	Engine/Transaxle/Clutch	145-7789
	Water Pump Belt	Water Pump Assembly	147-2664
Workman UTX Deisel	V-Belt	Engine/Transaxle/Clutch	145-7789
	Water Pump Belt	Cooling Water System Assembly	145-7833
Multi Pro			
1750	Belt Synchronous	Engine Mount	125-0765
5800	V-Belt	Alternator Drive	98-9676
Specialty Turf Equipment			
ProCore Core Processor	V-Belt	Engine Drive (Set of 3)	110-2772
	V-Belt	Chopper Drive	115-8957
	Belt	Brush Drive	112-4254
	V-Belt	Corner Shaft	115-2951
ProCore 648	3V-Belt	Primary Belt	105-0989
	4V-Belt Banded	Secondary Belt	105-0991
	V-Belt	Hydrostat Pump Assembly	107-7513
ProCore 648s	3V-Belt	Primary Belt	105-0989
	V-Belt Banded	Clutch Assembly	140-8882
	V-Belt	Hydrostat Pump Assembly	107-7513
ProStripe 560	Belt	Belt-Variator (520)	411024
Field Pro 6040	V-Belt	Engine Assembly	110-6973
Vista	V-Belt	Engine Assembly	131-8567
	V-Belt Traction	Engine & Transaxle Assembly	63-2951
Outcross 9060	V-Belt	Cab A/C Compressor Assembly	138-8000
	V-Belt	Water Pump Assembly	127-4771

QUICK REFERENCE GUIDE

ROLLERS*

Equipment	Description	Length (inches)	Part No.
Groundsmaster			
Groundsmaster 3500D/3505D/4000D/4100D/4500D/4700D/5900D/5910/7200/7210/360	Roller Asm - UHMW (Groundsmaster 3500/4300/4500/4700)		131-7800
	Ballast Kit for UHMW Roller Asm		136-2881
	Ballast Kit for UHMW Roller Asm - 22" CU		136-2915
	Roller Assembly		136-2908
	Roller and Bracket Kit		112-5291
	ROLLER ASM		137-6141
	Center Deck Roller		93-4803
	Center Deck Roller		68-6710
	Plastic Roller (Groundsmaster 4500D/4700D)		105-9816
	Roller (Groundsmaster 3500D/4300/4500D/4700D)		104-1093
	Roller (Groundsmaster 4000D/4100D/7200/7210)		29-4820
Rear Roller (Groundsmaster 4300-D)		137-6143	
Greensmaster Walkers			
Greensmaster 800/1000/1600/2000/2600	Wide Wiehle Roller Assembly (Greensmaster 800)	19.1	98-7264
	Narrow Wiehle Roller Assembly (Greensmaster 800)	19.1	99-6240
	Wide Wiehle Roller Assembly - Cast (Greensmaster 1000)	22.15	71-1550
	Wiehle Roller Assembly - Aluminum (Greensmaster 1000)	22.15	88-6790
	Wiehle Roller Assembly - 0.20" Spacing (Greensmaster 1000/2000)	22.15	99-6241
	Wiehle Roller Assembly (Greensmaster 1600/2600)	27.31	93-9039
	Full Roller Assembly (Greensmaster 1000)	22.15	52-3170
	Full Roller Assembly (Greensmaster 1600)	27.31	95-0930
	Full Roller Assembly (Greensmaster 800)	19.1	104-2640
	Full Roller Assembly 21" (Greensmaster 1000)	22.15	104-2642
Greensmaster 1018	Full Roller Assembly	18	138-1618
	Wiehle Roller Interlaced Narrow Assembly	18	138-1547
	REAR ROLLER ASM, 18 INCH		140-9258
	ROLLER ASM, WIDE WIEHLE		140-3441
	ROLLER ASM, EXTENDED WIEHLE		140-9214
Greensmaster 1021	Full Roller	21	138-1619
	Wiehle Roller Wide Assembly	21	138-1621
	REAR ROLLER ASM, 21 INCH		140-9259
Greensmaster 1026	Full Roller Assembly	26	138-1620
	Wiehle Roller Wide Assembly	26	138-1622

QUICK REFERENCE GUIDE

ROLLERS*

Equipment	Description	Length (inches)	Part No.
Greensmaster Flex 18/21	Full Rear Roller Assembly (Flex 21)	22.15	115-7356
	Wiehle Roller Assembly - Wide Spacing (Flex 21)	22.15	115-7386
	Wiehle Roller Assembly - Narrow Spacing (Flex 21)	22.15	115-7360
	Wiehle Roller Tube - Narrow Spacing	22.15	104-0540
	2.5" Full Roller Assembly (Flex 18)	19.15	120-9611
	Tube - 2" Full Roller (Flex 18)	19.15	110-2220
	Wiehle Roller Assembly - Wide Spacing (Flex 18)	19.15	120-9609
	Tube - Wiehle Narrow Spacing (Flex 18)	19.15	110-2221
	Tube - Wiehle Wide Spacing (Flex 18)	19.15	110-2227
	Auxiliary Roller Assembly	N/A	108-4339
	Roller- Auxiliary	N/A	108-4334
	Wide Wiehle Roller Kit	19.15	120-9609
	Steel Roller	22.15	107-3509
	Full Roller Assembly (Flex 21)	22.15	115-7356
Greensmaster Riders			
Greensmaster 3250 Cutting Units	Rear Roller Assembly (4 Bolt Adjustment Cutting Unit)	20.75	95-2910
	Anti-Scalp Roller Greensmaster 3250	N/A	99-4210
	Full Roller Assembly	22.15	140-5560
	Wiehle Roller Tube	22.15	104-0540
	Wiehle Roller Assembly (0.20" Spacing)	22.15	115-7360
	Wiehle Roller Assembly (0.93" Spacing)	22.15	115-7386
Greensmaster Dethatcher/Tri-Roller/Spiker Assemblies	Steel Roller (3250)	22.15	107-3509
	Roller Assembly	19.38	95-5943
	Anti-Scalp Roller	N/A	99-4210
Greensmaster 3300/3320/3400/3420	Rear Roller Assembly (Spiker/Tri-Roller)	20.75	99-1615
	Rear Full Roller Assembly	22.15	140-5560
	Steel Roller	22.15	107-3509
Reelmaster			
Reelmaster 2000D/2300D/2600D/3100D	27" Roller Assembly	N/A	61-0410
	32" Solid Roller Assembly	N/A	94-4982
	27" Wiehle Roller Tube	27.78	104-1386-0P
	27" Wiehle Roller Assembly (1993-2002)	27.64	92-1846
	27" Wiehle Roller Assembly (2003 and up)	27.75	104-1385
	27" Verticutter Roller Reelmaster 3100 (2006 and up)	N/A	108-4293
	27" Full Front Roller Assembly (2010 & Up)	27	137-6124
	27" Rear Roller Assembly (2010 & Up)	27	137-6123
	27" Plastic Shoulder Roller (2010 & Up)	27	119-0631
	32" Wiehle Roller Assembly (1993-2002)	32.4	94-4993
	32" Wiehle Roller Assembly (2003 and up)	32.4	104-1388
	32" Full Front Roller Assembly (2010 & Up)	N/A	137-6127
	32" Wiehle Roller Assembly (2010 & Up)	32.4	117-0990
	32" Plastic Shoulder Roller Asm (2010 & Up)	32.62	119-0640
	27" Long Rear Roller Assembly	27	137-6123
	27" Full Front Roller Assembly	27	137-6124
	27" Short Rear Roller Assembly	27	137-6118

Equipment	Description	Length (inches)	Part No.	
Reelmaster continued				
Reelmaster 3500D/4500D	Rear Roller Assembly	30.1	59-5630	
	Wiehle Roller Assembly (34.25" Roller)	2.75	62-6130	
	Wiehle Roller Assembly (33.25" Roller)	33.25	84-6080	
	Front Roller Assembly (33.25" Roller)	30.1	59-5630	
Reelmaster 5100D/5200D/5300D/5500D	Wiehle Roller Assembly	23.22	75-1520	
	Premium Rear Roller Assembly	19.24	94-0694	
	Roller Assembly	21.87	100-2536	
Reelmaster Dethatching Reel Parts 5100D/5200D/5300D/5500D	Rear Roller Assembly	23	137-6107	
	Wiehle Roller Assembly	23.22	75-1520	
Reelmaster 5010-H/5210/5410 5510/5610	2.5" Short Rear Roller Assembly (Reelmaster 5210/5410 2006-07)	20.5	137-6105	
	2.5" Long Rear Roller Assembly (Reelmaster 5210/5410 2006-07)	23	137-6107	
	3 INCH DIA ROLLER ASM	23	137-6113	
	2.5" Short Rear Roller Assembly (Reelmaster 5210/5410 2008 & up)	20.5	137-6105	
	3" Short Rear Roller Assembly (Reelmaster 5210/5410 2008 & up)	20.5	137-6117	
	2.5" Long Rear Roller Assembly (Reelmaster 5210/5410 2008 & up)	23	137-6107	
	2.5" Short Rear Roller Tube (Reelmaster 5210/5410 2008 & up)	17.88	137-6104	
	3" Long Rear Roller Tube (Reelmaster 5210/5410 2008 & up)	20.38	137-6112	
	3" Full Front Roller Assembly (Reelmaster 5210/5410/5510/5610 2008 & up)	24.5	137-6111	
	2.5" Full Front Roller Assembly	24.5	137-6109	
	3" Front Full Roller Tube (Reelmaster 5210/5410/5510/5610 2006-07)	24.5	137-6111	
	2.5" Full Front Roller Tube (Reelmaster 5210/5410/5510/5610 2008 & up)	21.88	137-6108	
	Plastic Shouldered Front Roller Assembly (2008 & up)	24.5	114-5421	
	Front Plastic Shoulder Roller Tube (2008 & up)	24.5	114-5422	
	Plastic Wiehle Front Roller Assembly	24.5	114-5400	
	Plastic Wiehle Front Roller Assembly (2008 & up)	24.5	114-5401	
	3" Short Rear Roller ASM (FM 5010) 2020	22	137-6117	
	Kickstand Roller (Verticutter)	N/A	108-4293	
	Reelmaster 5500D/6500D/6700D	3 INCH DIA ROLLER ASM	23	137-6113
		3" Full Roller Assembly	23	99-5749
Rear Roller Assembly 2.5" x 20.5"		20.5	98-7966	
Roller Tube Assembly		N/A	94-4335	
Wiehle Roller Tube Assembly		23	100-9905-0P	
Wiehle Roller Assembly		23	100-9906	
Reelmaster 6500D/6700D DPA Cutting Units and Verticutter Rollers	3 INCH DIA ROLLER ASM	23	137-6113	
	2.5" Long Rear Roller Assembly	23	137-6107	
	3" Short Rear Roller Assembly (2008 & up)	20.5	137-6117	
	3" Long Rear Roller Tube (2008)	20.38	137-6112	
	3" Long Rear Roller Tube (2009 & up)	20.38	137-6112	
	Plastic Wiehle Front Roller Assembly	24.5	114-5400	
	Front Plastic Wiehle Roller Tube (2008 & up)	24.5	114-5401	
	Plastic Shouldered Front Roller Assembly (2008 & up)	24.5	114-5421	
	Front Plastic Shouldered Roller Tube (2008 & up)	24.5	114-5422	
	3" Full Front Roller Assembly	24.5	137-6111	
	3" Full Front Roller Tube (2007)	24.5	137-6111	
	2.5" Full Front Roller Tube (Verticutter)	24.5	137-6109	

Equipment	Description	Length (inches)	Part No.	
Reelmaster 7000D	Plastic Shoulder Roller Assembly	28	119-0630	
	Plastic Wiehle Roller Assembly	28	117-0960	
	Full Front Roller Assembly	28	137-6121	
	3" Rear Roller Assembly (DPA)	28	137-6120	
	Short Rear Roller Assembly	20.5	137-6118	
	Plastic Shouldered Roller	32.6	119-0641	
	3" Roller Tube Assembly	20.38	137-6112	
	Plastic Wiehle Roller (27")	28	117-0959	
	Plastic Wiehle Roller (32")	32.6	117-0989	
	27" Full Front Roller Asm (2011 & Up)	27	137-6124	
	27" Rear Roller Assembly (2011 & Up)	27	137-6123	
	27" Plastic Shoulder Roller (2011 & Up)	27	119-0631	
	32" Full Front Roller Assembly (2010 & Up)	N/A	137-6127	
	32" Wiehle Roller Assembly (2010 & Up)	32.4	117-0990	
	32" Plastic Shoulder Roller Asm (2010-2017)	32.62	119-0640	
	FULL FRONT ROLLER ASM (3IN)		137-6121	
	27" Long Rear Roller Assembly	27	137-6120	
	Reelmaster 3550/3555/3575	Plastic Wiehle Roller Assembly (18")	20.5	112-1704
		Full Front Roller Assembly (18")	20.5	137-6116
		Plastic Shoulder Roller Assembly (18")	20.5	112-1733
Plastic Wiehle Roller Assembly (22")		24.5	114-5400	
Full Front Roller Assembly (22")		24.5	137-6111	
Plastic Shoulder Roller Assembly (22")		24.5	114-5421	
Short Rear Roller Assembly (18")		17	137-6103	
Long Rear Roller Assembly (18")		19	137-6101	
Long Rear Roller Assembly (22" - 2.6" DIA)		23	137-6107	
Short Rear Roller Assembly (22" - 2.5" DIA)		20.5	137-6105	
LONG REAR ROLLER ASM (2.5 DIA)			137-6107	
FULL FRONT ROLLER ASM (3IN)			137-6111	
Specialty				
ProCore	Rear Roller Kit (ProCore 648)		110-4444	
	Rear Roller Kit (ProCore SR75)		121-6903-03	
	Roller Assembly (ProCore 864)		110-4252-03	
SandPro	Roller Assembly (SandPro 3040/5040)		136-2908	
	Roller Drive Assembly (SandPro 3040/5040)		104-1093	
ProStripe	Rear Roller (ProStripe 560)		560031W	



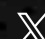


Your day starts early.
Make the most of it.

A full tee sheet requires a full day's work. From running sprinklers to mowing greens, tackle today's to-do list with peace of mind knowing you have the tools to solve tomorrow's challenges. Like you, we're always thinking ahead. *Always solving. Always evolving.*

Find Your Nearest Distributor

toro.com



 /TheToroCompany
 /ToroCompany
 /ToroCompanyEurope



TORO PROTECTION PLUS™

EXTENDED PROTECTION PLAN

Run Your Maintenance Budget at Peak Efficiency

The Toro Protection Plus™ (TPP) Extended Protection Plan eliminates the hit your maintenance budget can take when the unforeseen happens. Coverage is available for new equipment, pre-owned equipment, and most Toro attachments and accessories. Just choose the plan that fits your needs.

\$0 deductible for parts & labor on covered repairs | Remaining coverage is transferrable if ownership changes



Learn More: at toro.com/tpp